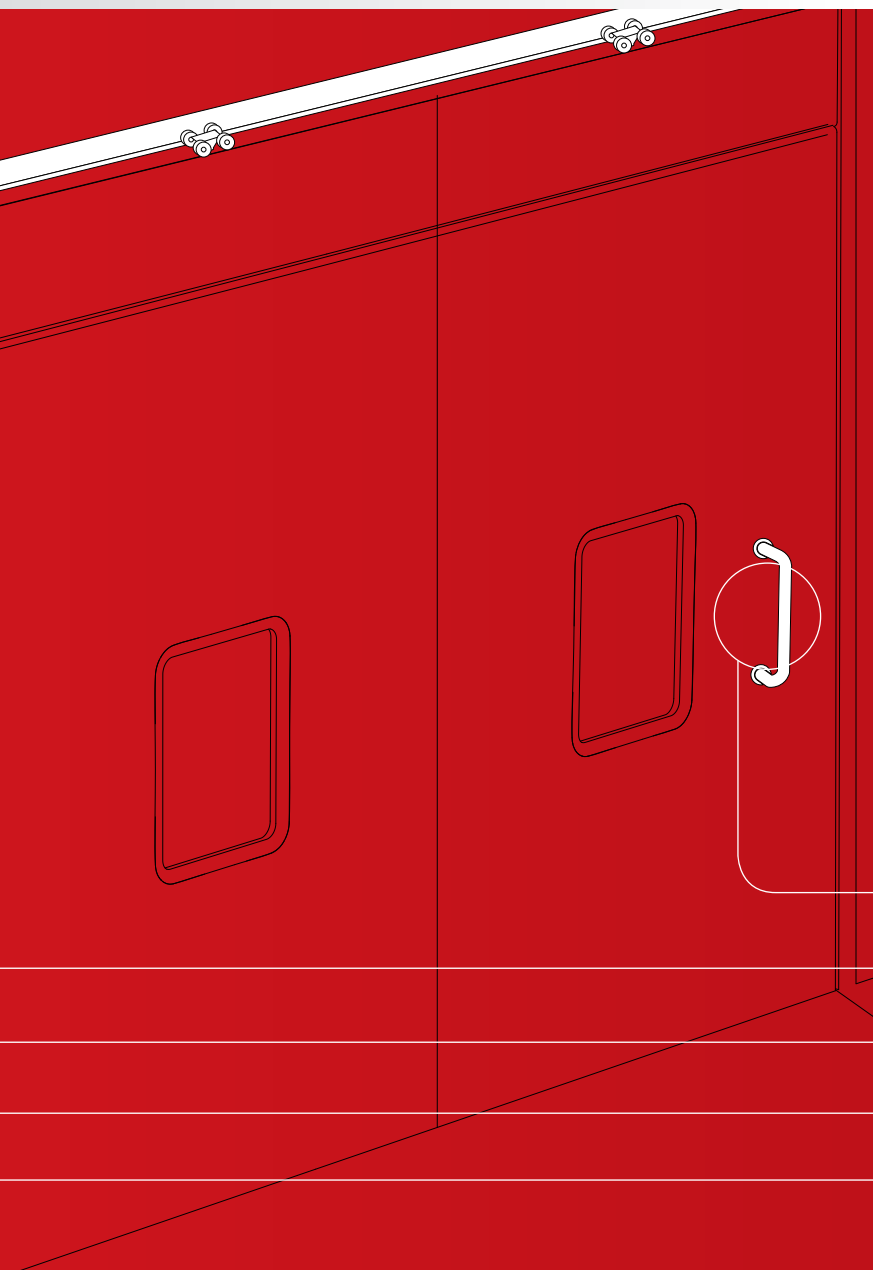




# SLIDING INDUSTRIAL DOORS





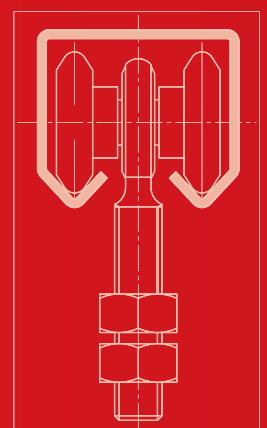
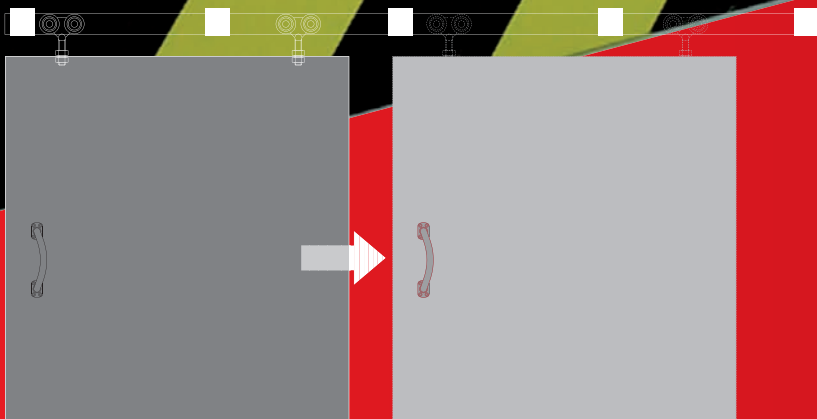
**PULL HANDLES**

**TROLLEYS**

**MONORAILS**

**SUPPORTS FOR MONORAILS**

**TURNING PLATE AND GUIDE**



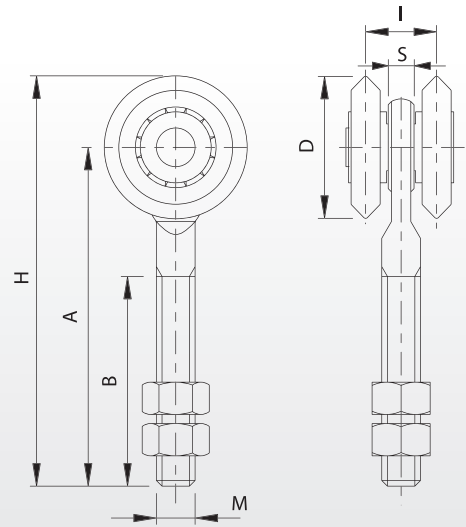
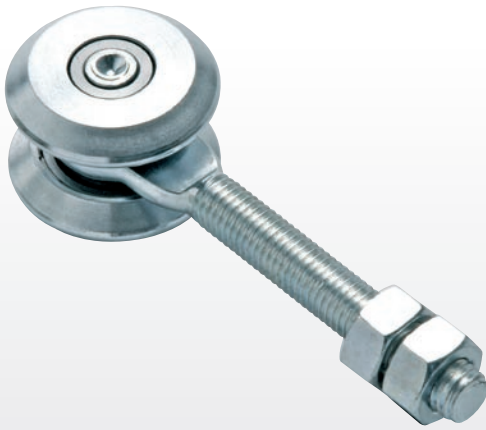


## Sliding solution for industrial doors

*Simple and guaranteed*

The trolleys and monorails are used for all types of upper sliding doors or aerial manoeuvres when guides cannot be installed in the floor for particular operating reasons. A wide variety of applications can be implemented with wall and ceiling brackets. The trolleys feature shielded bearings that provide greater load capacity and are quieter when moving than ball bearings. Together with the monorails, they are available in large, medium and small versions. All accessories are galvanized for a more durable product.

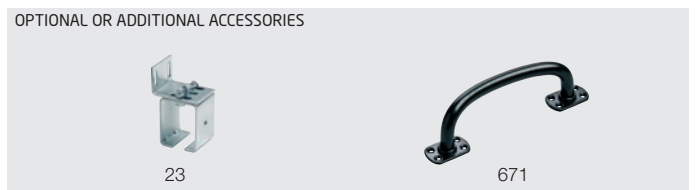
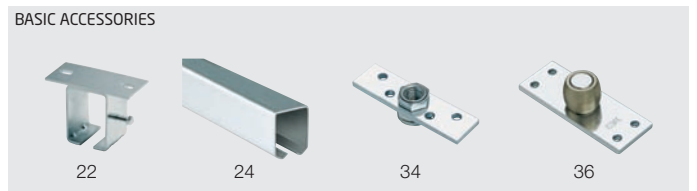
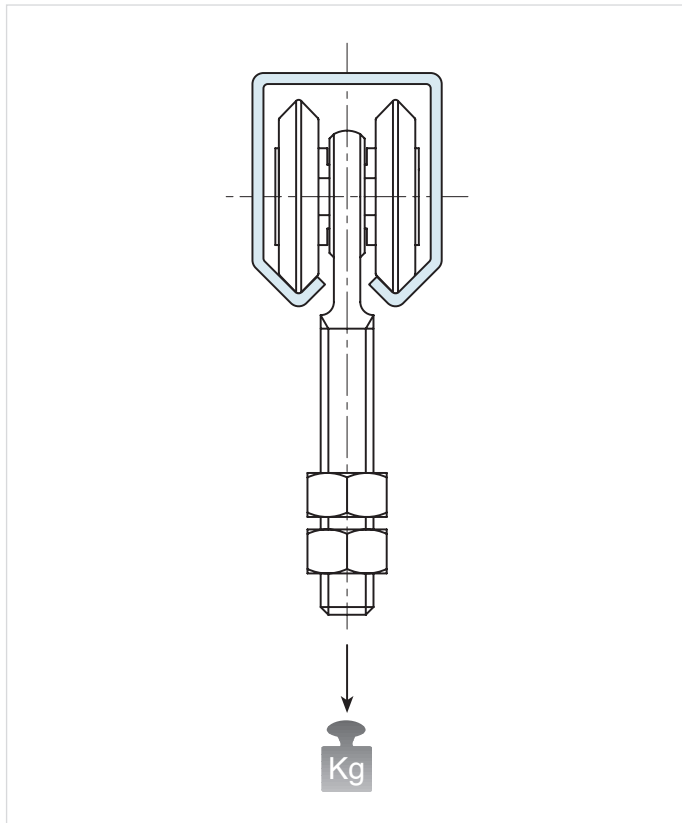


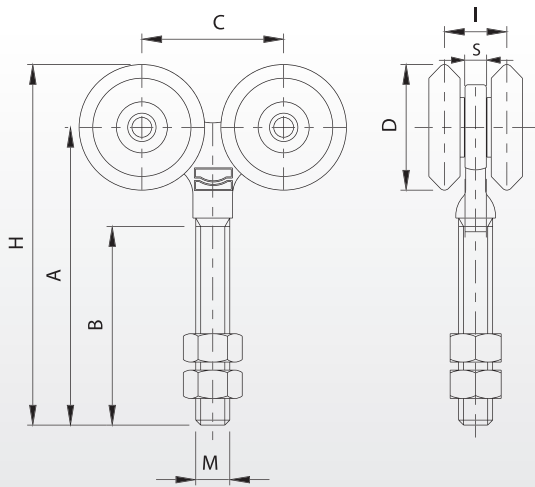


**2C**

Trolley with 2 wheels and bearing

		A	B	D	I	H	M	S				
2C	grande Ø54	122	80	Ø54	30	149	M20	10	2	350	16	10,80

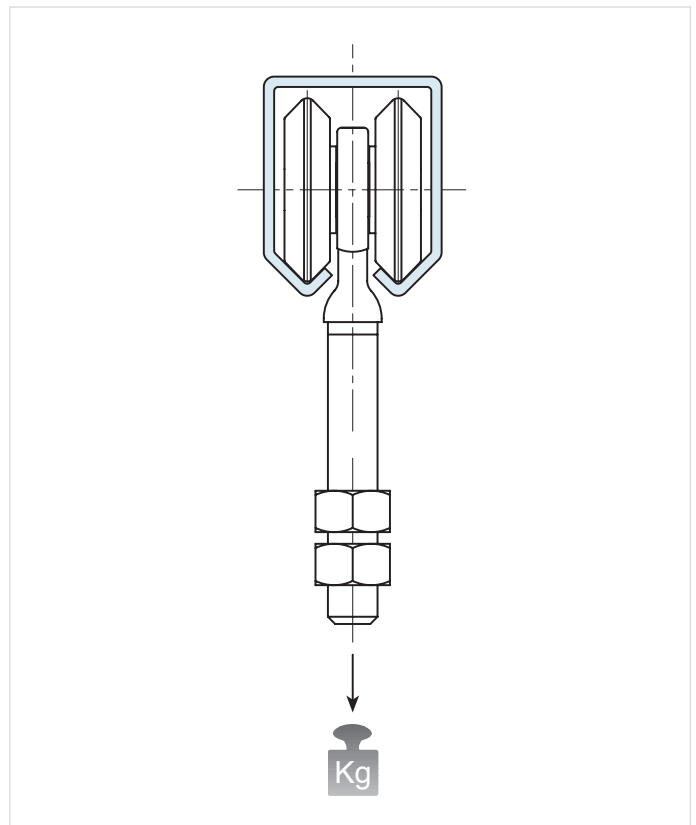
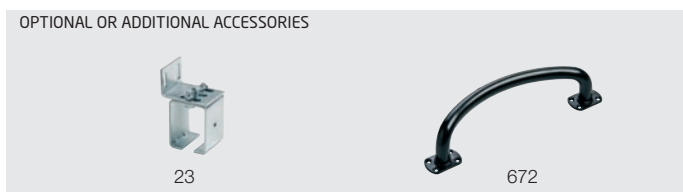
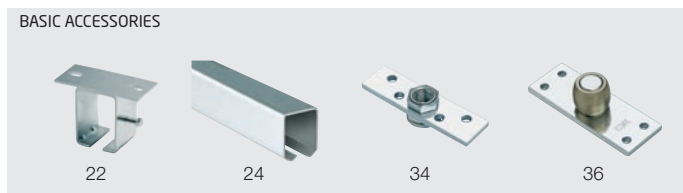


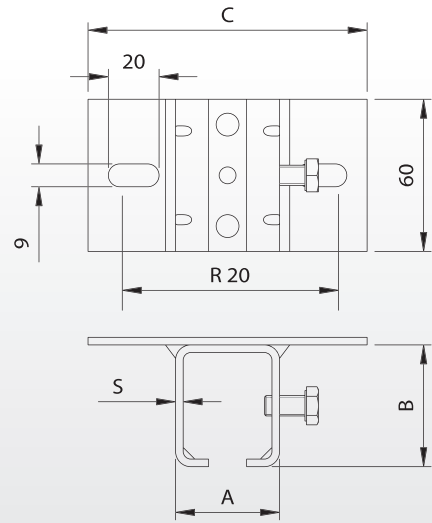


Trolley with four wheels and bearing

**4C**

		A	B	C	D	H	I	M	S				
4C	grande Ø54	125	80	60	Ø54	152	30	M20	10	4	400	16	19,60

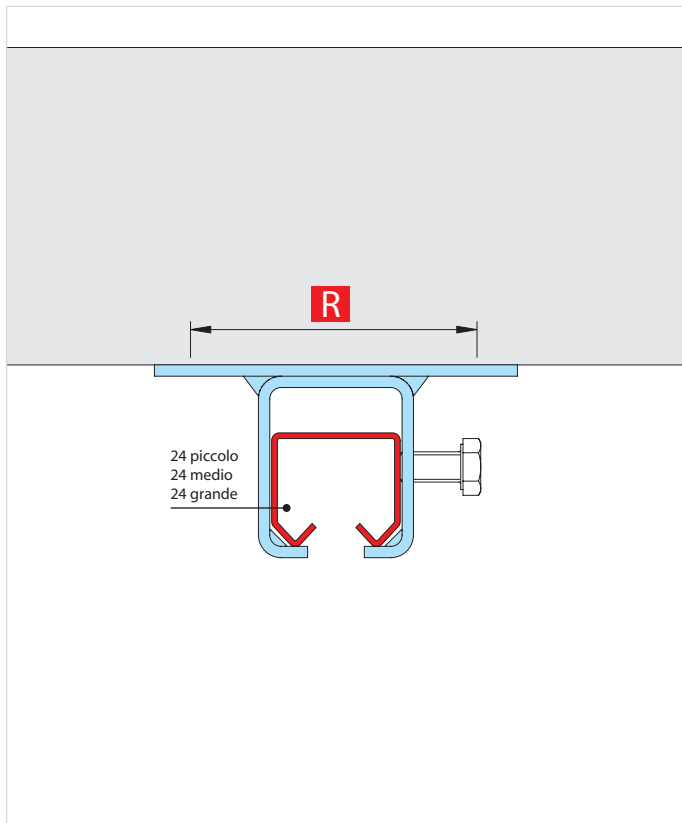




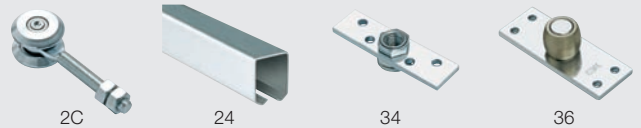
**22**

Ceiling support for track art.24

		A	B	C	D	S		
22	grande	66	88	74	130	4	6	2,50

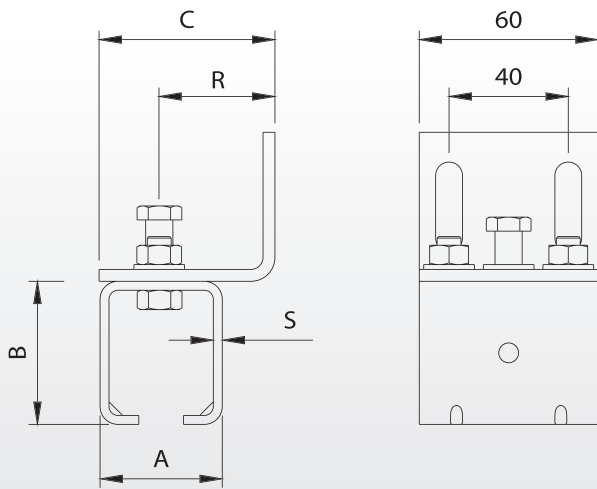


BASIC ACCESSORIES



OPTIONAL OR ADDITIONAL ACCESSORIES

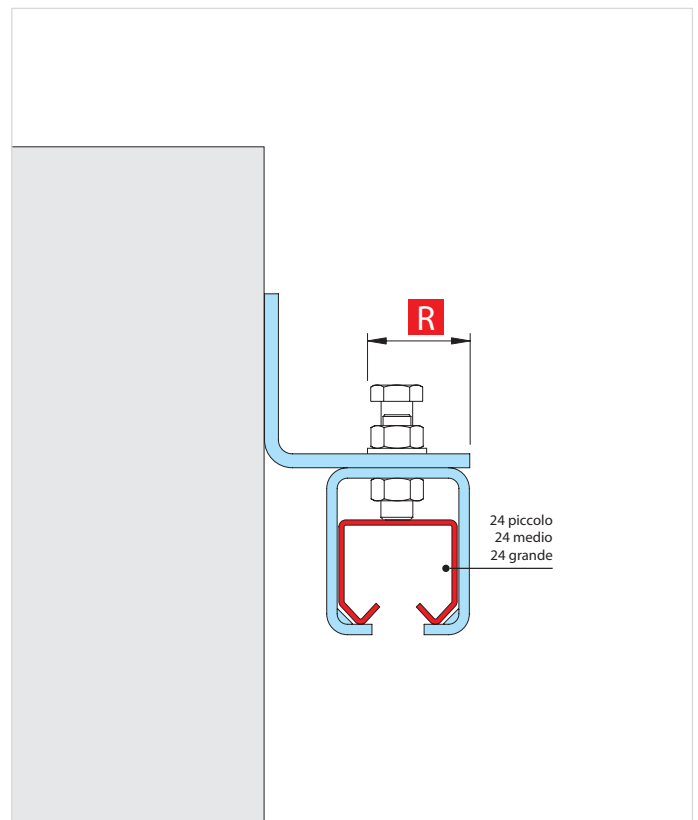
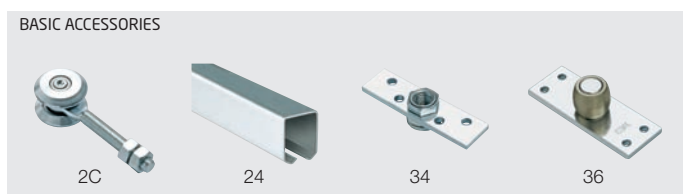


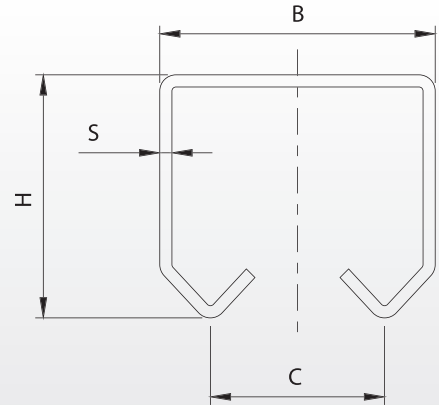


Wall support for track art.24

**23**

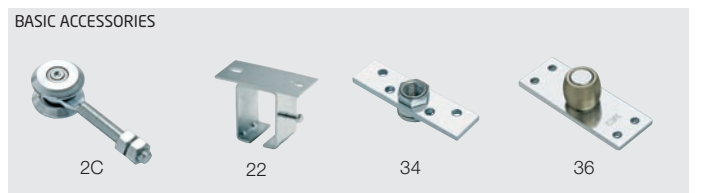
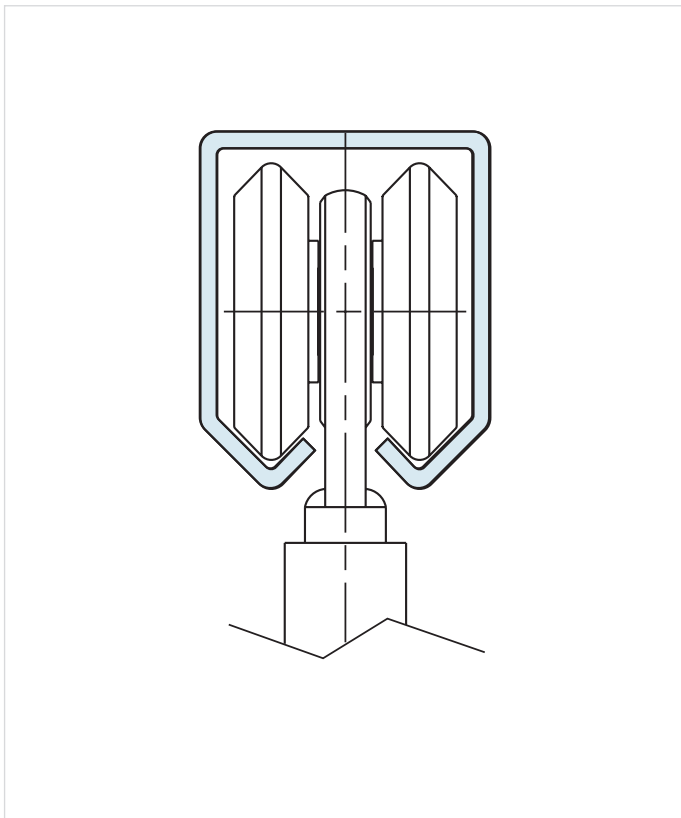
		A	B	C	R	S		
23	grande	66	88	79	35-52	4	6	2,50

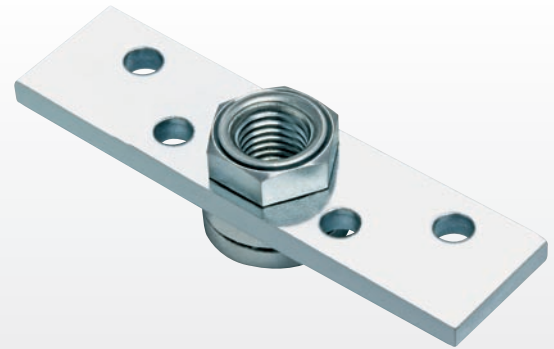
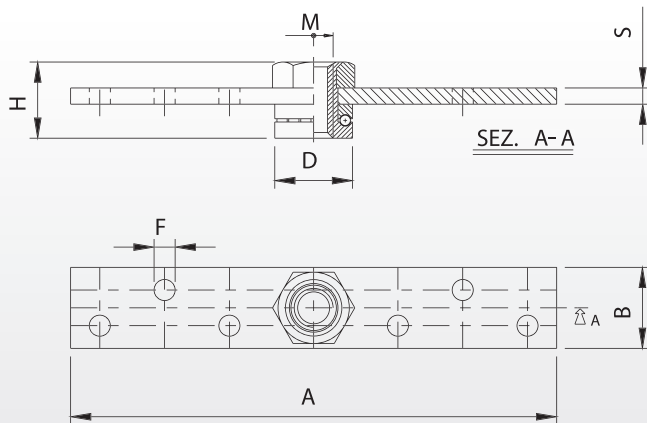




**24** Track for trolleys small-medium-large

		B	C	H	L	S		
24	grande L=6000	57	30	68	6000	3	1	30,00

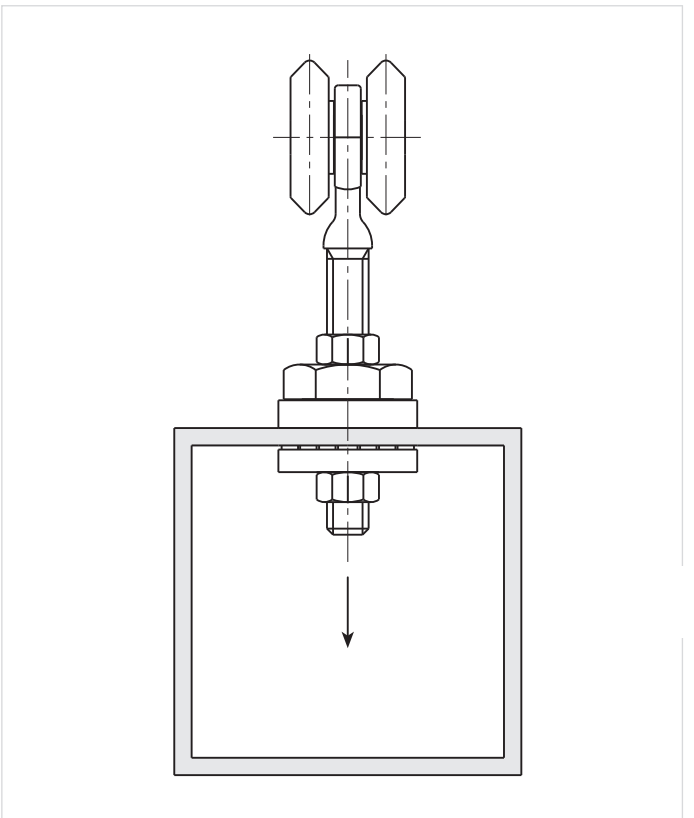
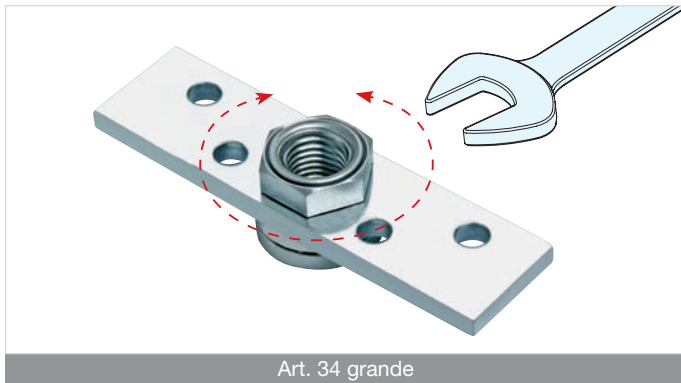




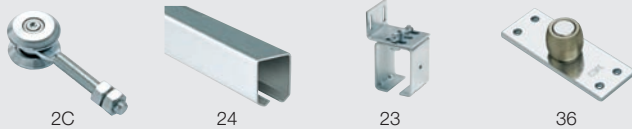
Turning plate with bearing for trolleys

**34**

		A	B	D	F	H	M	S			
34	grande	150	40	Ø40	Ø10,5	31	M20	8	32	20	9,60

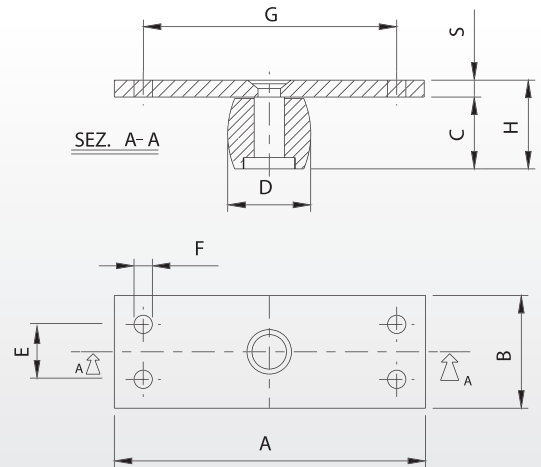
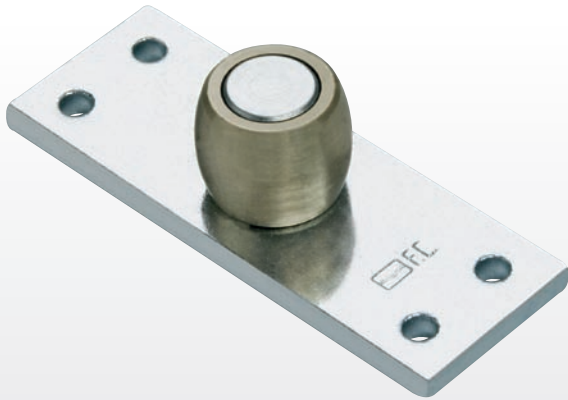


BASIC ACCESSORIES



OPTIONAL OR ADDITIONAL ACCESSORIES

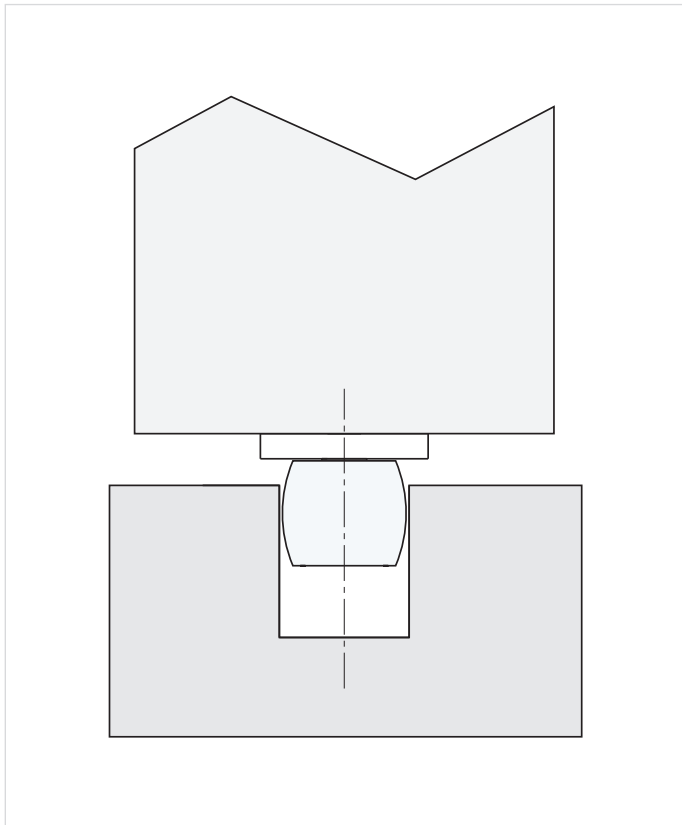




**36**

Bottom guide with brass roller

		A	B	C	D	E	F	G	H	S		
36 - 30	Ø30	110	40	25	Ø30	19,5	Ø10,5	90	31	6	20	6,50

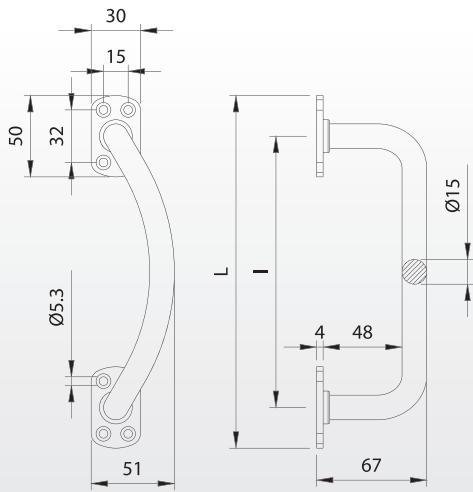


BASIC ACCESSORIES



OPTIONAL OR ADDITIONAL ACCESSORIES

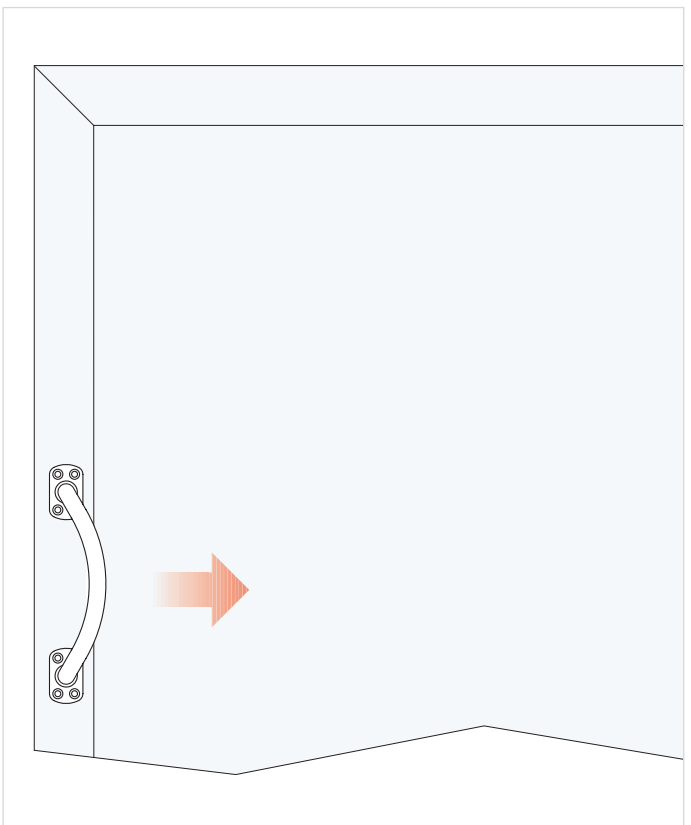




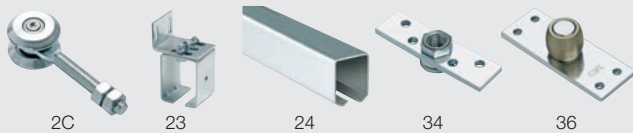
Bended pull handle dia.15mm

**671**

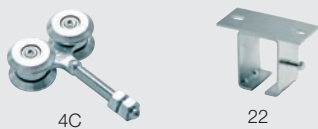
		I	L		
671P	piccolo	165	215	10	6,40
671G	grande	215	265	10	7,10

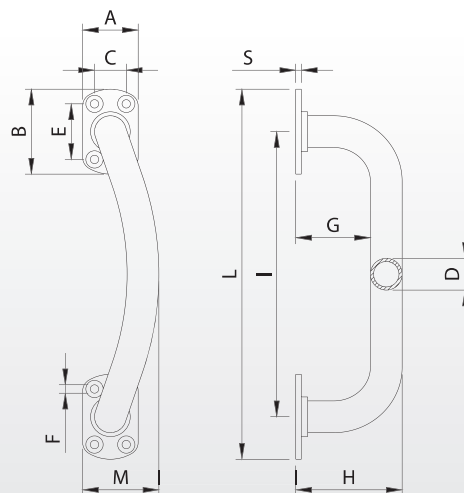


BASIC ACCESSORIES



OPTIONAL OR ADDITIONAL ACCESSORIES

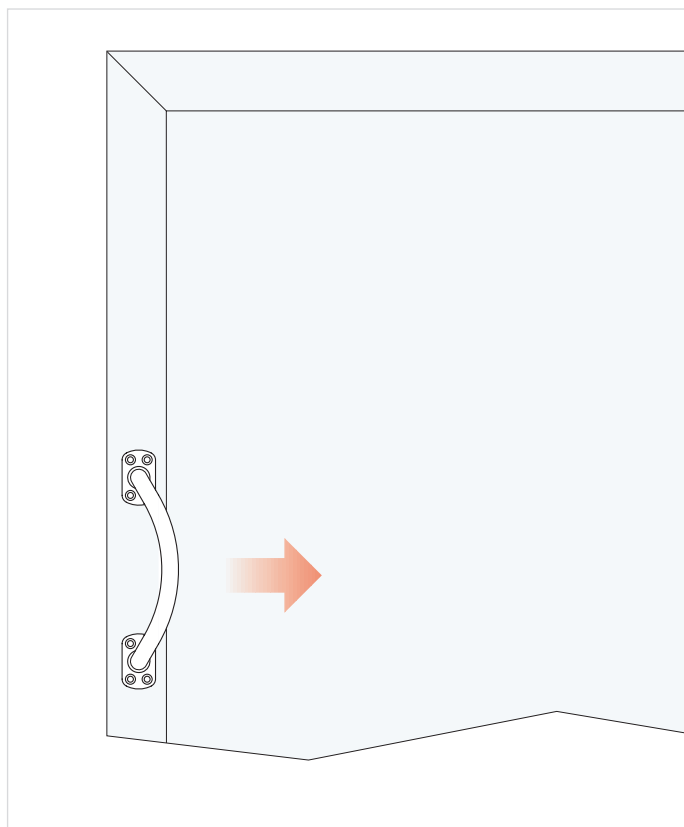




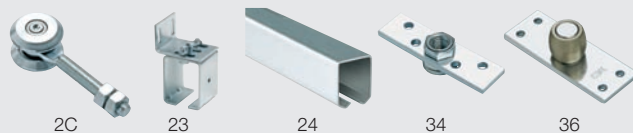
672

Bended pull handle

		A	B	C	D	E	F	G	H	I	L	M	S		
672P	piccolo	35	54	20	20	35	Ø5,3	47	67	180	234	48	3,5	10	4,60
672G	grande	45	71	27	25	47	Ø6,3	60	85	280	351	71	4	10	9,30



BASIC ACCESSORIES



OPTIONAL OR ADDITIONAL ACCESSORIES



