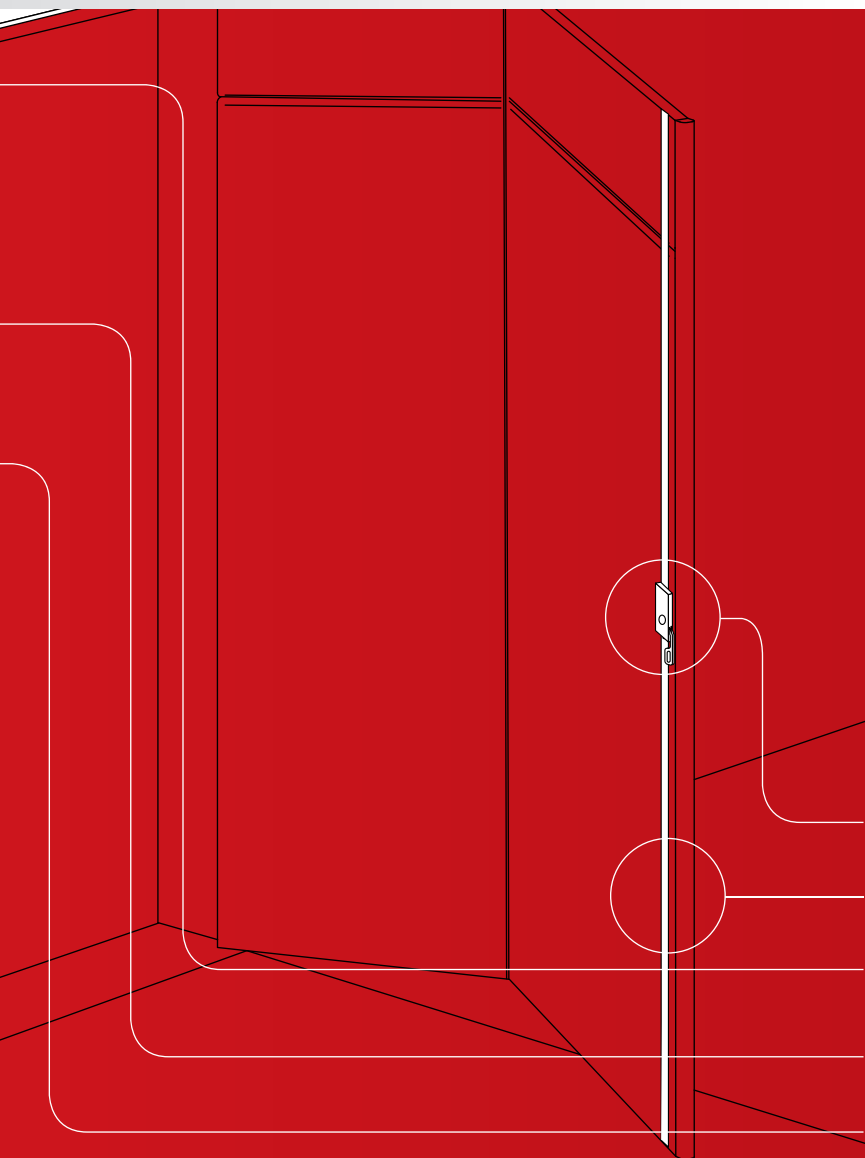


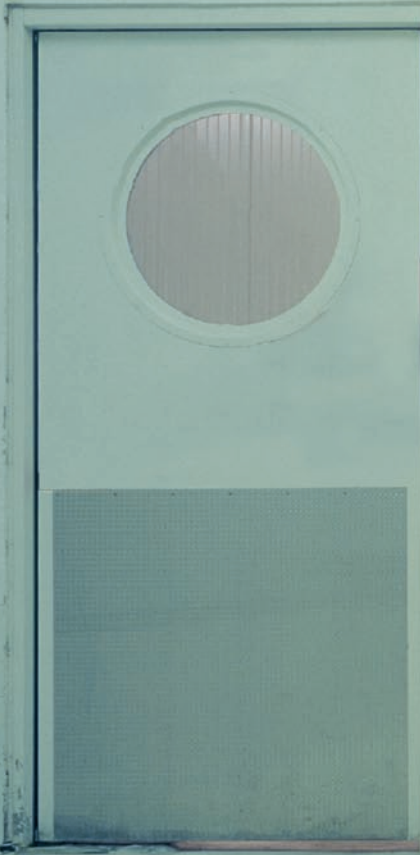


# FOLDING DOORS





- LEVER BOLTS
- CONNECTION TUBULAR RODS
- MONORAILS
- TROLLEYS
- HINGES
- HANDLES
- STOP BATTENTS



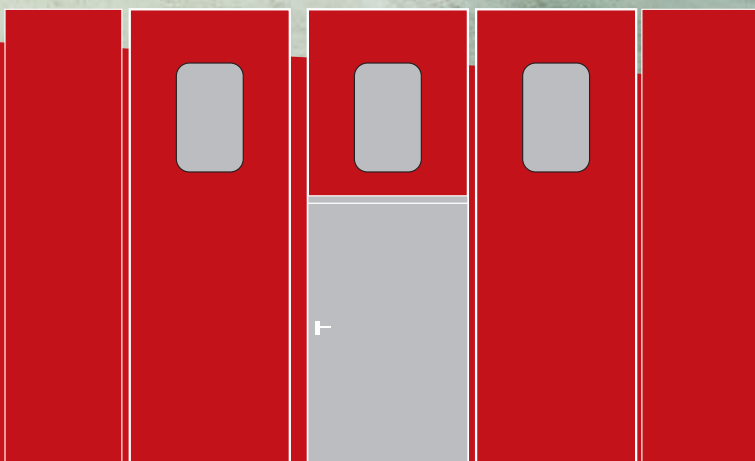


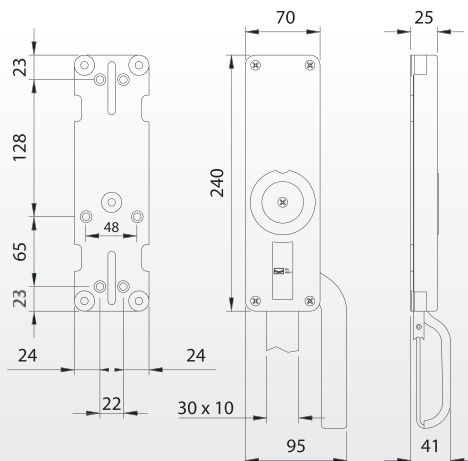
## Sliding solution for industrial doors

### Customized your project

Comunello CICLOPE is the first completely industrialized product line, which is to say a set of accessories designed for the production of mass-produced folding doors. The essential characteristic of the CICLOPE product line is that it is designed and personalized based on the customer's specific needs. Thanks to Comunello's Design Centre, it is possible to quickly develop an entire series of products for this market segment. The CICLOPE line includes lever bolts for closing leaves, comb hinges in steel and aluminum, trolleys, monorails and support brackets. Comunello CICLOPE also takes advantage of the CICLOPE WIN software package that is used to quickly and automatically design an industrial closure by simply starting from the opening.

Ciclope Door system 

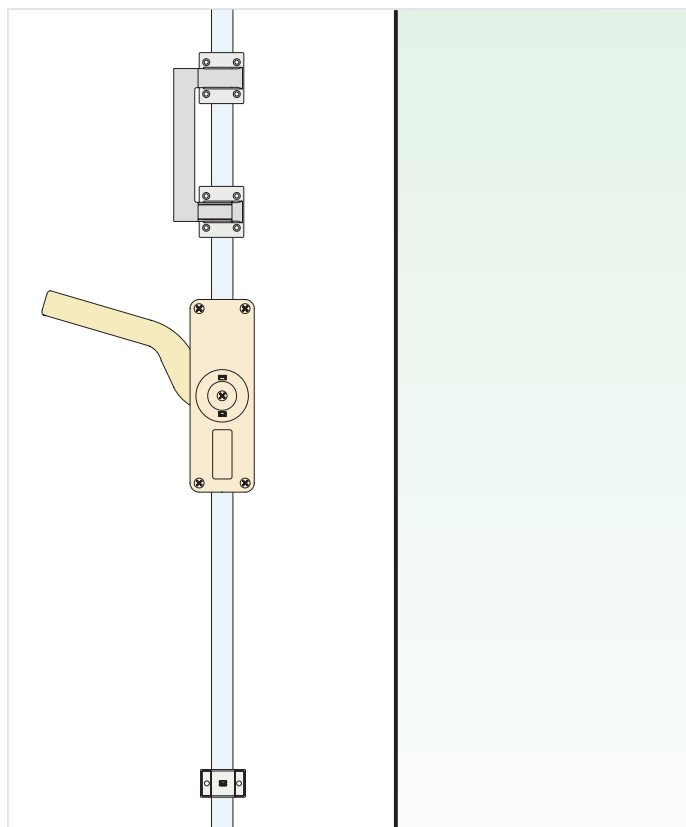




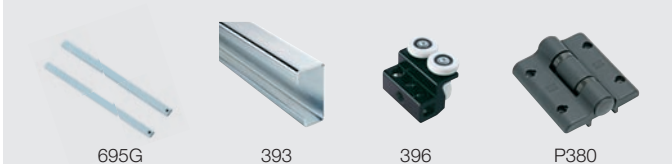
**694**

Large "STAR" lever bolt

			Corsa		
694MC-DX	destro	GALVANISED	40	2	2,80
694MC-SX	sinistro	GALVANISED	40	2	2,80

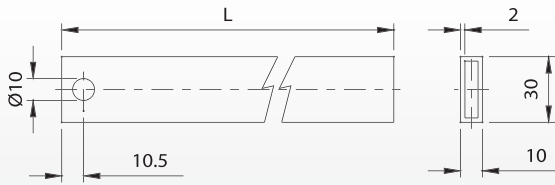


BASIC ACCESSORIES



OPTIONAL OR ADDITIONAL ACCESSORIES

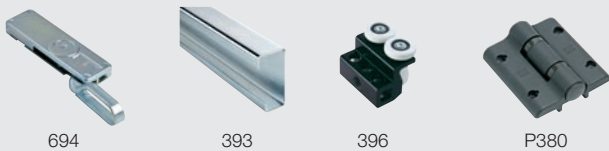




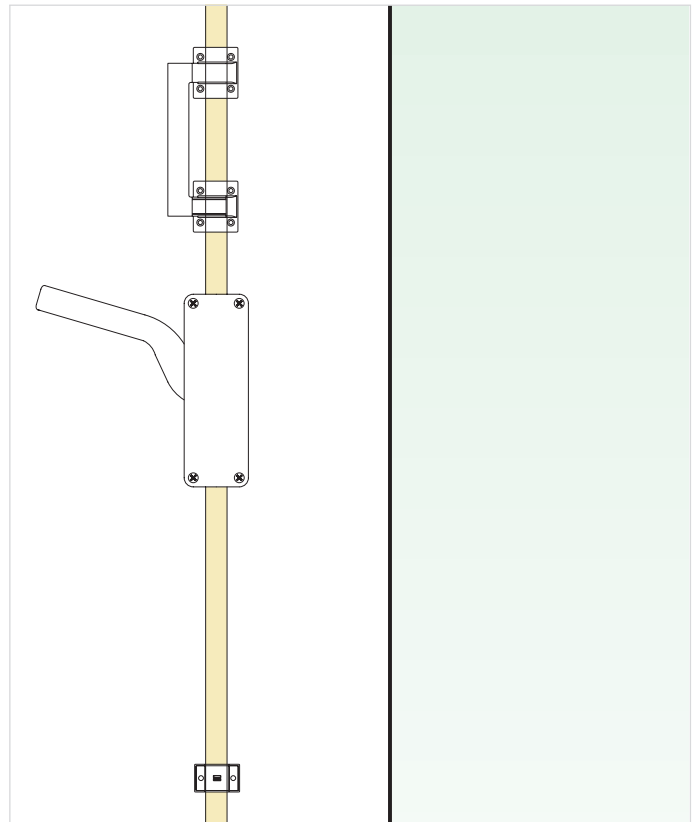
Connection tubular rod **695G**

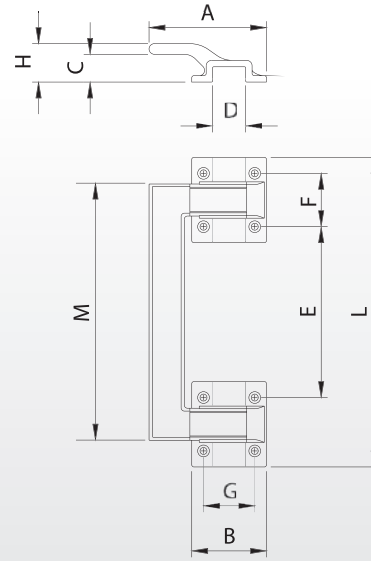
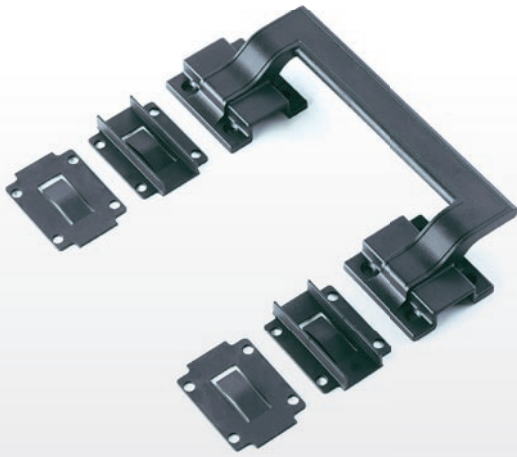
			L	Corsa		
695G	30 x10	GALVANISED	3000	3000	1	3,40

BASIC ACCESSORIES



OPTIONAL OR ADDITIONAL ACCESSORIES





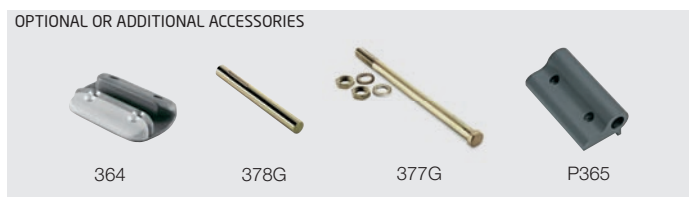
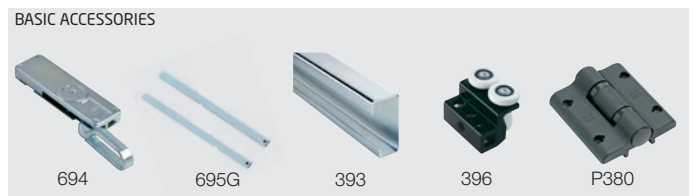
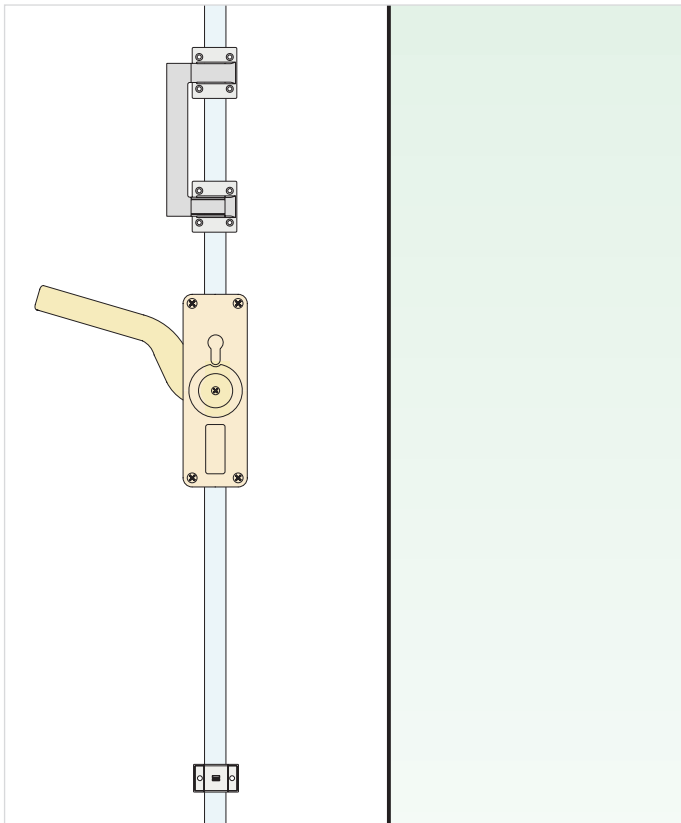
Kit per 692G - 695G

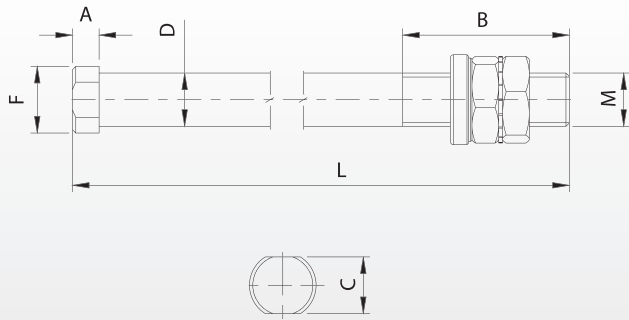


**699**

Nylon handle with kit for rods

		A	B	C	D	E	F	G	H	L	M		
699	35x10	110	70	26	31	160	50	48	36	290	240	10	3,00

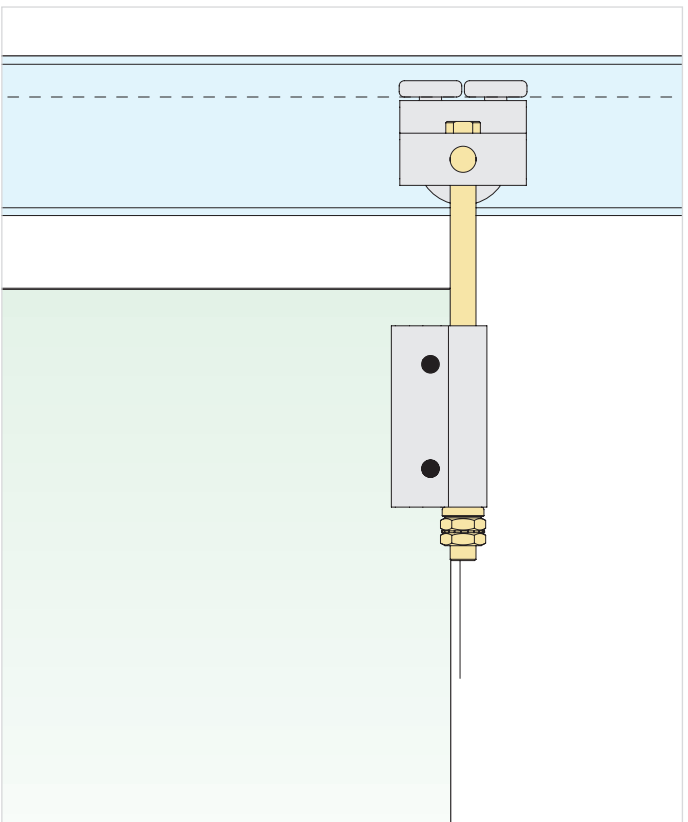




Pin with bearing for trolleys

**377G**

		A	B	C	D	F	L	M		
377G	grande	9	60	22	Ø20	Ø26,5	330	M20	4	3,60

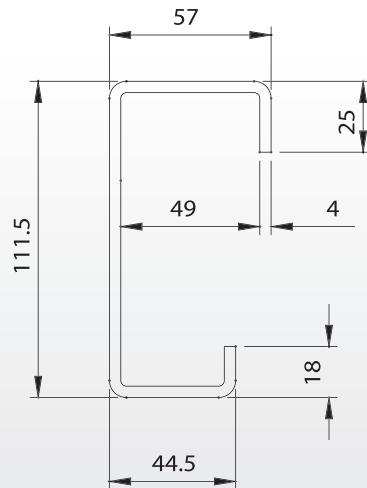


BASIC ACCESSORIES



OPTIONAL OR ADDITIONAL ACCESSORIES





**393** Guide for trolleys with 3 nylon wheels



393



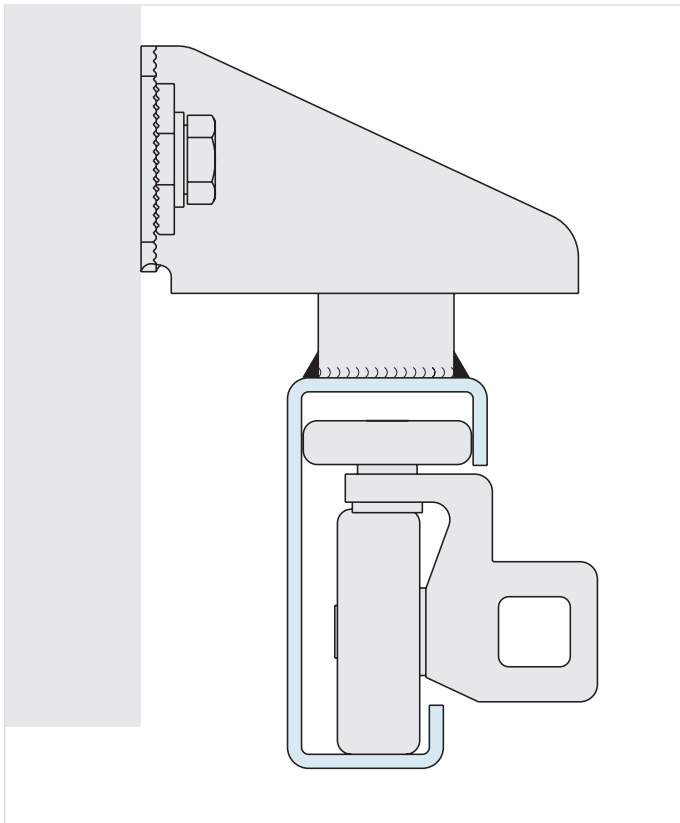
L=6000



1



41,70



BASIC ACCESSORIES



694



695G



396



P380

OPTIONAL OR ADDITIONAL ACCESSORIES



699



364



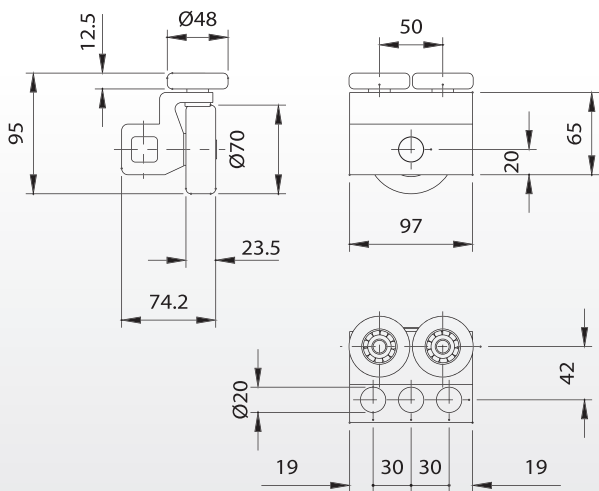
378G



377G



P365



Trolley with 3 nylon wheels

**396**



396



280



4



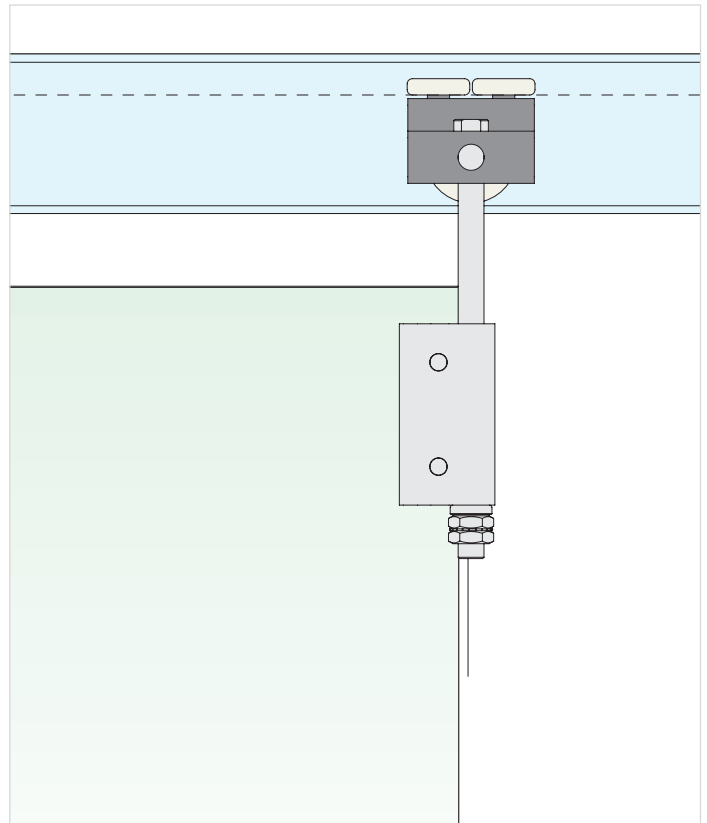
4,00

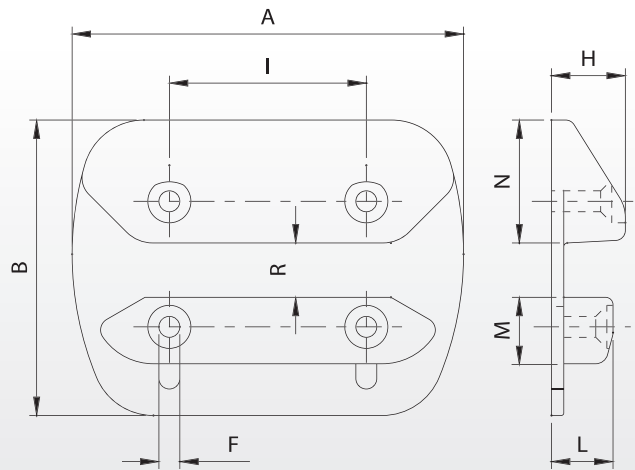


BASIC ACCESSORIES



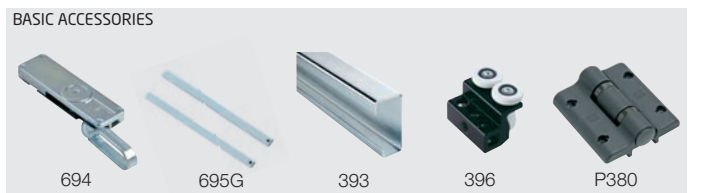
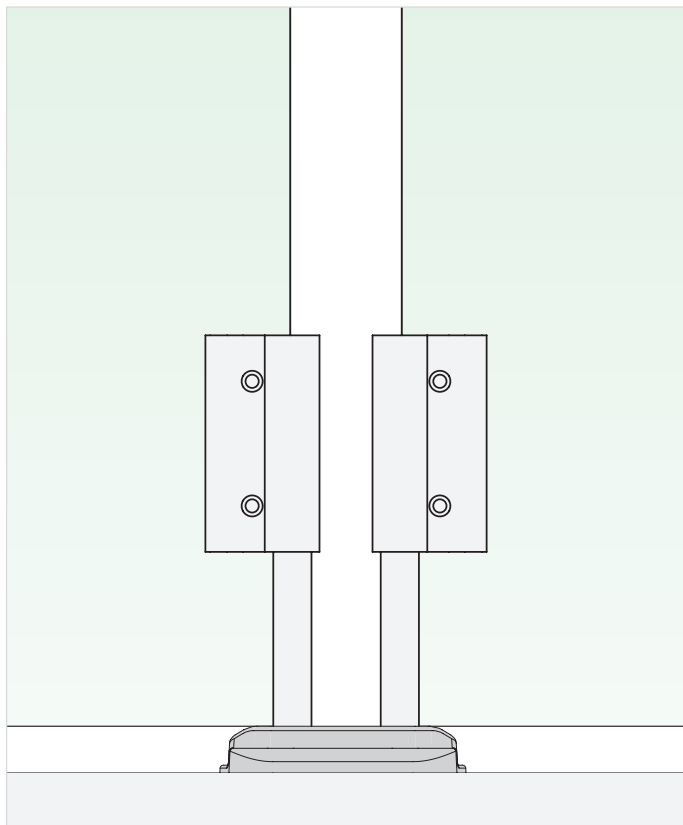
OPTIONAL OR ADDITIONAL ACCESSORIES

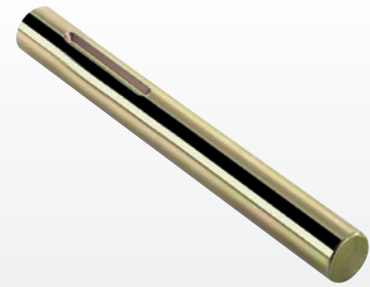
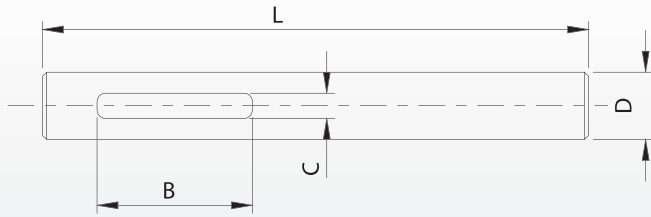




**364** Adjustable aluminium floor strike plate

	A	B	F	H	I	L	M	N	R		
364	159	120	Ø8,5	30	80	25	27	50	18-43	2	1,40

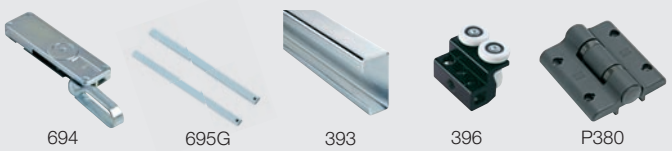




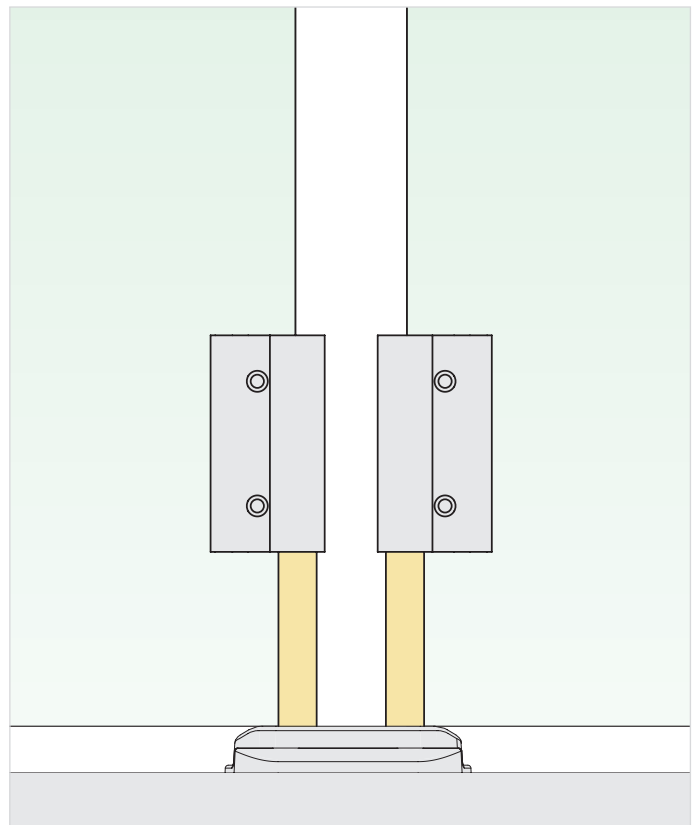
Bottom pin **378G**

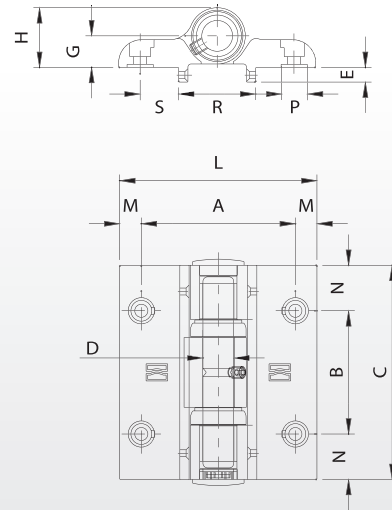
		B	C	D	L		
378G	LARGE	50	6	Ø20	182	4	2,00

BASIC ACCESSORIES



OPTIONAL OR ADDITIONAL ACCESSORIES

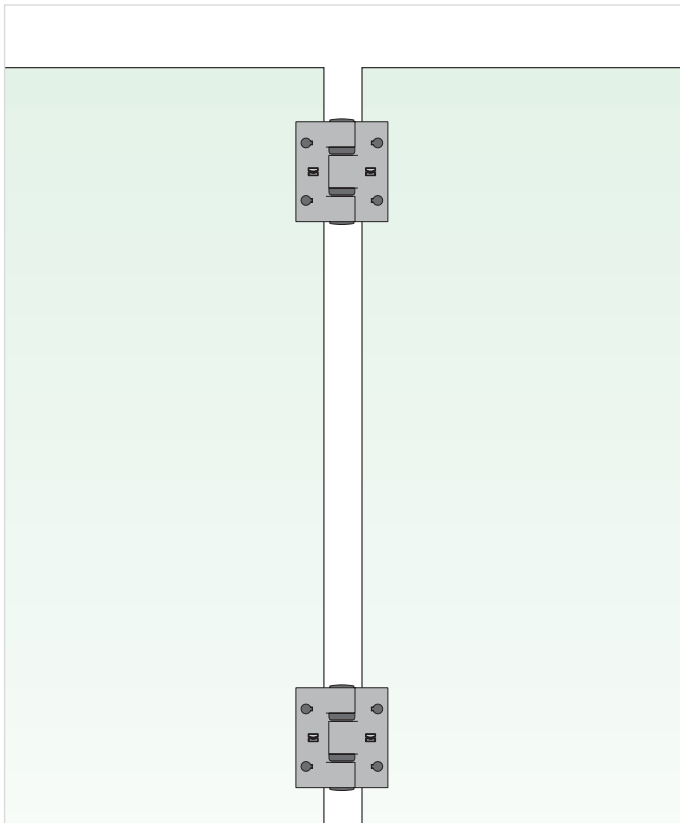




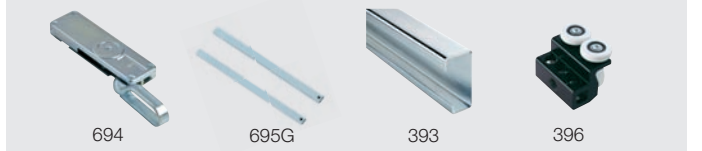
**P380**

Die-cast intermediate hinge with steps

	A	B	C	D	E	G	H	L	M	N	P	R	S		
P380	100	80	139	Ø20	9,5	20,5	38,5	128	14	29,5	Ø17	50	25	12	18,40

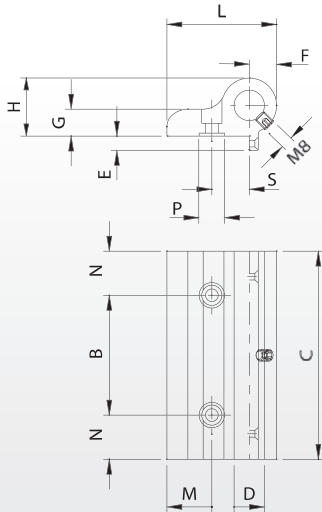


BASIC ACCESSORIES



OPTIONAL OR ADDITIONAL ACCESSORIES

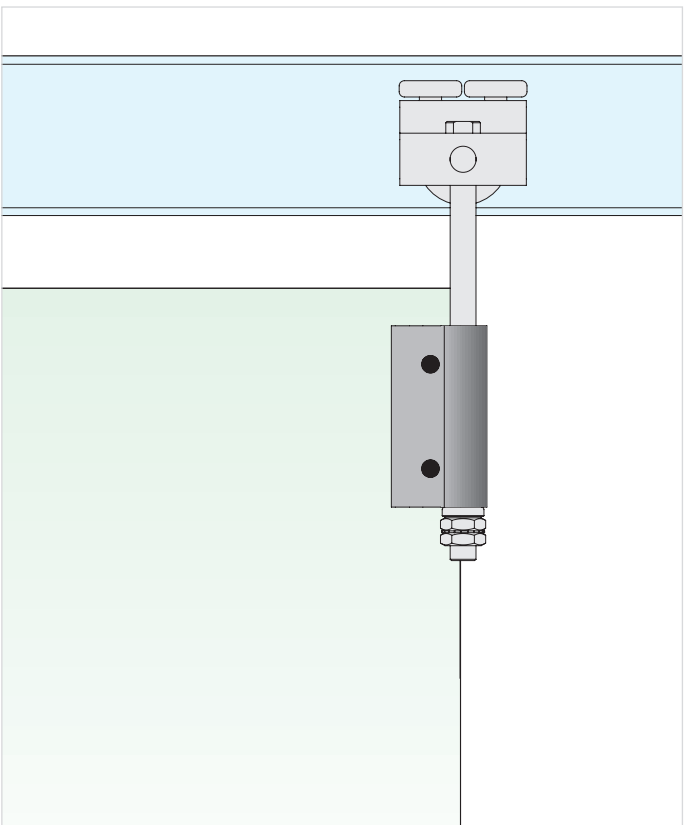




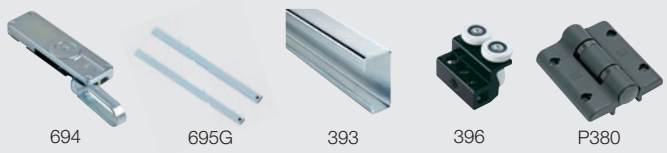
Single flange with off-centre step

**P365**

	<b>B</b>	<b>C</b>	<b>D</b>	<b>E</b>	<b>F</b>	<b>G</b>	<b>H</b>	<b>L</b>	<b>M</b>	<b>N</b>	<b>P</b>	<b>S</b>		
P365	80	139	Ø20	9,5	18	20,5	38,5	73	30	29,5	Ø17	25	4	2,60



BASIC ACCESSORIES



OPTIONAL OR ADDITIONAL ACCESSORIES

