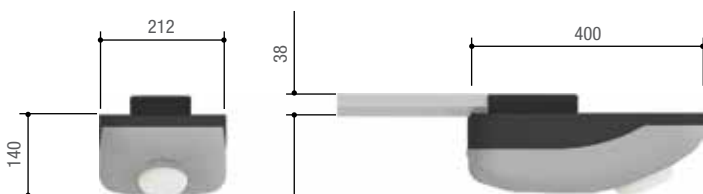


Ideal solution for sectional and overhead residential garage doors

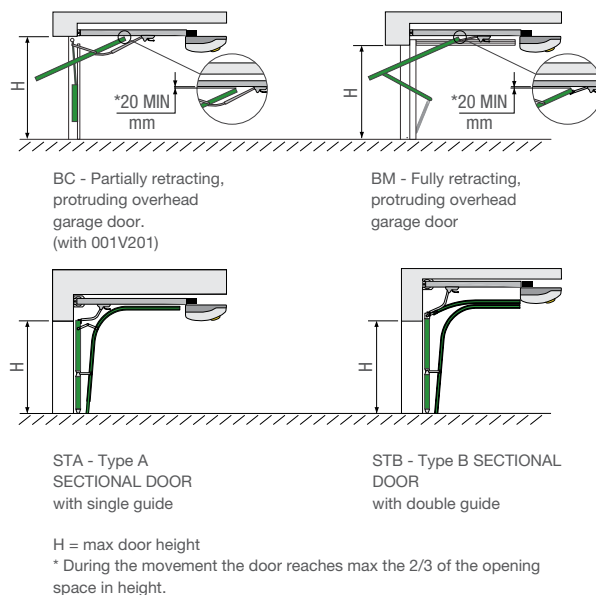


- Automation fixed directly onto the transmission guide.
- 24 V DC system to ensure maximum security and total reliability.
- A complete range of command and security accessories to complete the automation.
- Belt or chain operated slide guides; silent and reliable, plus outside and inside pull-cord release, to fit to the door handle.
- Tested in compliance to parameter established by the current norms.
- Works in emergency mode during blackouts.

Dimensions (mm)



Applications



Limits to use

MODELS	V700E	V900E
Traction force (N)	850	500

Technical features

MODELS	V700E	V900E
Protection rating (IP)	40	40
Power supply (V - 50/60 Hz)	230 AC	230 AC
Motor power supply (V)	24 DC	24 DC
Current draw (A)	11 Max.	6 Max.
Power (W)	260	130
Manoeuvre speed (m/min)	6	6
Duty cycle (%)	50	50
Operating temperature (°C)	-20 ÷ +55	-20 ÷ +55
Motor thermo-protection (°C)	-	-

THE COMPLETE RANGE



Code	Description	Price £ (Excl. VAT)
------	-------------	------------------------

Operators with 24 V DC gearmotor tested in compliance with EN 12453 - EN 12445 norms

001 V900E 	Automation featuring control panel with encoder for sectional and overhead garage doors.	£208.00
001 V700E 	Automation featuring control panel with encoder for sectional and overhead garage doors.	£274.00



Accessories for: 001V900E - 001V700E

001 V0670 	Card for emergency functioning during blackouts and battery recharging. N. 2 12 V - 1.2 Ah batteries (not supplied).	£59.00
----------------------	---	--------



Accessories

001 V121	Cord release and transmission device to apply to the door-handle. L = 3 m.	£24.00
001 V122	Transmission arm for sectional doors having distances of 300 - 600 mm from the top edge of the door and the spring rod.	£15.00
001 V201	Adapter arm for protruding overhead garage doors. Max door height: 2.4 m.	£84.00



Chain guides

001 V0679	Chain guide L = 3.02 m. * Max door height: BC = 2.4 m BM = 2.25 m STA = 2.1 m STB = 2.2 m.	£87.00
001 V0682	Chain guide L = 3.52 m. * Max door height: BM = 2.75 m STA = 2.6 m STB = 2.7 m.	£102.00
001 V0683	Chain guide L = 4.02 m. * Max door height: BM = 3.25 m STA = 3.1 m STB = 3.2 m.	£120.00
001 V0684	Chain guide in two pieces L = 3.02 m. * Max door height: BC = 2.4 m BM = 2.25 m STA = 2.1 m STB = 2.2 m.	£136.00



Accessories for: chain guides

001 V005	Extension to chain guide of the type: 001V0679 - 001V0682 - 001V0683 - 001V0684 L = 1.42 m.	£58.00
-----------------	--	--------



Belt guides

001 V0685	Belt guide L = 3.02 m. * Max door height: BC = 2.4 m BM = 2.25 m STA = 2.1 m STB = 2.2 m.	£121.00
001 V0686	Belt guide L = 3.52 m. * Max door height: BM = 2.75 m STA = 2.6 m STB = 2.7 m.	£131.00
001 V0688	Belt guide L = 4.02 m. * Max door height: BM = 3.25 m STA = 3.1 m STB = 3.2 m.	£144.00
001 V0687	Belt guide in two pieces L = 3.02 m. * Max door height: BC = 2.4 m BM = 2.25 m STA = 2.1 m STB = 2.2 m.	£124.00



NOTES

* BC = Counterweighted overhead garage door - BM = Spring-balanced overhead garage door - STA = Type A sectional door - STB = Type B sectional door