

V6000

Max traction force: 600 N

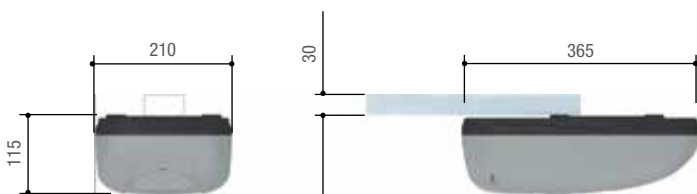


Ideal solution for sectional and overhead residential garage doors

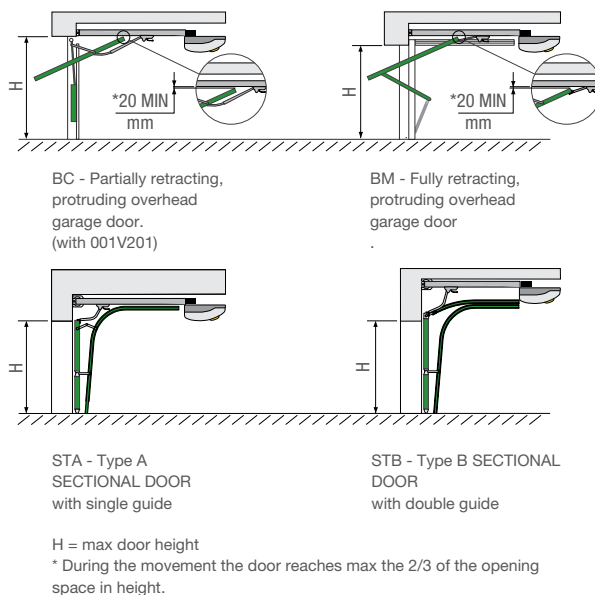
- Ready-for-use automation solutions.
- Automation fixed directly onto the transmission guide.
- 24 V DC system to ensure maximum security and total reliability.
- A complete range of command and security accessories to complete the automation.
- Belt or chain operated slide guides; silent and reliable, plus outside and inside pull-cord release, to fit to the door handle.
- Systems tested according to the parameters dictated by current rules and regulations.



Dimensions (mm)



Applications



Limits to use

MODEL	V6000
Traction force (N)	600

Technical features

MODEL	V6000
Protection rating (IP)	40
Power supply (V - 50/60 Hz)	230 AC
Motor power supply (V)	24 DC
Current draw (A)	6 Max.
Power (W)	100
Manoeuvre speed (m/min)	6
Duty cycle (%)	50
Operating temperature (°C)	-20 ÷ +55
Motor thermo-protection (°C)	-


● 24 V DC

THE COMPLETE RANGE



Code	Description	Price £ (Excl. VAT)
------	-------------	------------------------

Automation with 24 V DC gearmotor tested in compliance with EN 12453 - EN 12445 norms

001 V6000 	Automation featuring control board with graphic segment display, with encoder, for sectional and overhead garage doors	£ POA
---	--	--------------



Accessories

001 V121	Cord release and transmission device to apply to the door-handle. L = 3 m.	£ 24.00
001 V122	Transmission arm for sectional doors having distances of 300 - 600 mm from the top edge of the door and the spring rod.	£ 15.00
001 V201	Adapter arm for protruding overhead garage doors. Max door height: 2.4 m.	£ 84.00



Chain guides

001 V06001	Chain guide L = 3.02 m. *Max door height: BC = 2.4 m - BM = 2.25 m - STA = 2.1 m.	£ 36.00
001 V06002	Chain guide L = 3.52 m. * Max door height: BM = 2.75 m - STA = 2.6 m.	£ 42.00
001 V06003	Chain guide L = 4.02 m. * Max door height: BM = 3.25 m - STA = 2.6 m.	£ 46.00



Belt guides

001 V06005	Belt guide L = 3.02 m. * Max door height: BC = 2.4 m - BM = 2.25 m - STA = 2.1 m.	£ 70.00
001 V06006	Belt guide L = 3.52 m. * Max door height: BM = 2.75 m - STA = 2.6 m.	£ 77.00
001 V06007	Belt guide L = 4.02 m. * Max door height: BM = 3.25 m - STA = 2.6 m.	£ 84.00



NOTES

NOTE: THIS PRODUCT IS AVAILABLE ONLY IN THE KIT VERSION

* BC = Counterweighted overhead garage door - BM = Spring-balanced overhead garage door - STA = Type A sectional door - STB = Type B sectional door