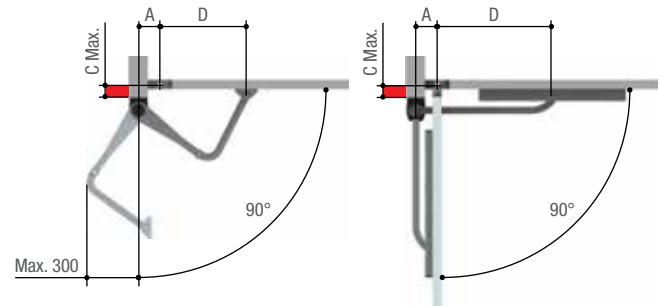
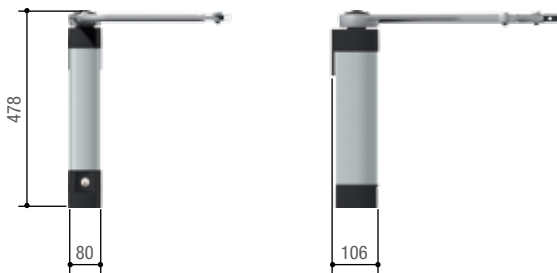




Ideal solution to fit onto small gate posts

- Encoder-based movement control.
- Tested in compliance to parameter established by the current norms.
- Can be installed onto gates with posts just 8 cm wide, and up against a wall or fence, thanks to the straight slide-arm option.
- It works in emergency mode during blackouts.
- Reliable and sturdy even if small, thanks to the system's self-locking mechanism.
- Release system with customised key.
- Reversible version also available.

Dimensions (mm)



Dimensions of application (mm)

| ARTICULATED ARM GATE-LEAF OPENING | STYLO-BS | | |
|--------------------------------------|----------|-----|--------|
| | A | D | C Max. |
| 90 | 90 | 450 | 0 |
| 90 | 90 | 450 | 180 |
| 90 | 130 | 450 | 180 |
| 120 | 170 | 450 | 0 |

| STRAIGHT ARM GATE-LEAF OPENING | STYLO-BD | | |
|-----------------------------------|----------|-----|--------|
| | A | D | C Max. |
| 90 | 90 | 400 | 0 |
| 90 | 90 | 400 | 40 |
| 90 | 90 | 400 | 150 |
| 90 | 90 | 400 | 180 |
| 90 | 90 | 400 | 200 |
| 90 | 230 | 300 | 180 |
| 135 | 230 | 300 | 0 |

Limits to use

| MODELS | STYLO-ME • STYLO-RME | | |
|---------------------------|---|-----|-----|
| Max leaf length (m) | 1.8 | 1.2 | 0.8 |
| Max leaf weight (kg) | 100 | 125 | 150 |
| Max gate-leaf opening (°) | 120 (with STYLO-BS) - 135 (with STYLO-BD) | | |

Technical features




| MODELS | STYLO-ME • STYLO-RME | | |
|------------------------------|----------------------|--|--|
| Protection rating (IP) | 54 | | |
| Power supply (V - 50/60 Hz) | 230 AC | | |
| Motor power supply (V) | 24 DC | | |
| Current draw (A) | 5 Max. | | |
| Power (W) | 48 | | |
| 90° manoeuvre time (s) | ADJUSTABLE | | |
| Duty cycle (%) | INTENSIVE SERVICE | | |
| Torque (Nm) | 100 | | |
| Operating temperature (°C) | -20 ÷ +55 | | |
| Motor thermo-protection (°C) | - | | |

THE COMPLETE RANGE




| Code | Description | Price £ (Excl. VAT) |
|------|-------------|------------------------|
|------|-------------|------------------------|

24 V DC gearmotors and control panel tested in compliance with EN 12453 - EN 12445 norms

| | | |
|---|--|---------|
| 001 STYLO-ME  | Self-locking gearmotor with encoder for swing gates up to 1.8 m per leaf. | £316.00 |
| 001 STYLO-RME  | Reversible gearmotor with encoder for swing gates up to 1.8 m per leaf. | £301.00 |
| 002 ZL92  | Multifunction control panel for two-leaf swing gates featuring graphic segment display for function programming, signalling and self-diagnosis safety devices. | £238.00 |

Accessories for: 002ZL92

| | | |
|--|---|--------|
| 002 LB90  | Card for emergency functioning during blackouts and battery recharging. N. 2 12 V - 1.2 Ah batteries (not supplied). | £55.00 |
|--|---|--------|

Accessories

| | | |
|---------------------|--|---------|
| 001 STYLO-BS | Articulated transmission arm. | £41.00 |
| 001 STYLO-BD | Straight transmission guide and slide guide. | £109.00 |
| BAT2PK | Set of 2 x 12V - 1.2 Ah batteries. For the 002LB90 | £52.00 |

Accessories for: 001STYLO-RME

| | | |
|-------------------|-------------------------------------|---------|
| 001 LOCK81 | Electric lock with single cylinder. | £98.00 |
| 001 LOCK82 | Electric lock with double cylinder. | £104.00 |

