

Frog Plus

Gate-leaves up to 7 m

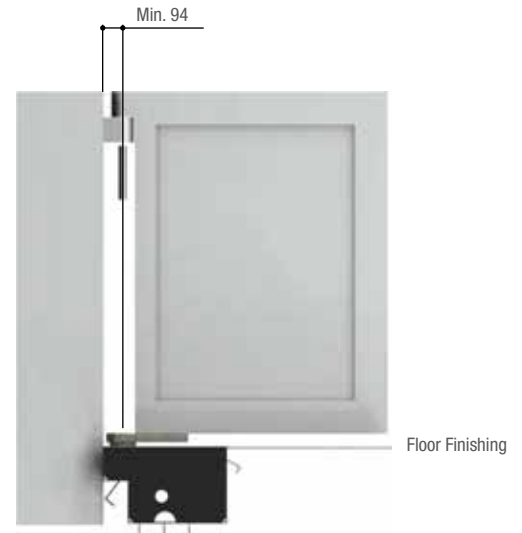
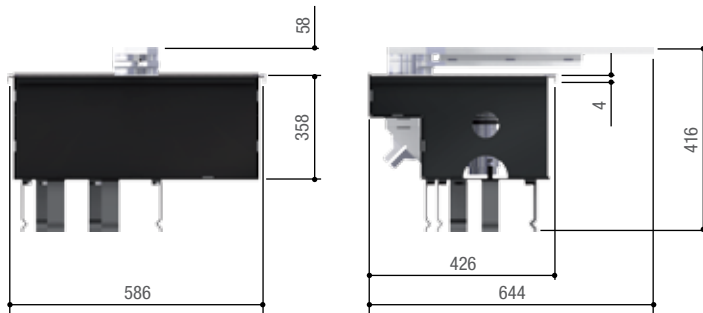


Hide-away solution ideal for fitting to gates in apartment blocks or industrial settings

- The invisible solution for the automation of the swing gate.
- High degree of protection (IP67) from weather agents.
- Built-in gate-leaf opening and closing stops for easily and quickly adjusting the gate-leaves end stops.
- Encoder technology for total movement control.



Dimensions (mm)



Limits to use

MODEL	FROG-PM4		
Max leaf length (m)	5.5*	4.5*	3.5*
Max leaf weight (kg)	700	900	1,100
MODEL	FROG-PM6		
Max leaf length (m)	7*	5*	4*
Max leaf weight (kg)	550	650	1,000

NOTES: *The electric lock on the gate leaf is mandatory.

Technical features

MODEL	FROG-PM4	FROG-PM6
Protection rating (IP)	67	67
Power supply (V - 50/60 Hz)	230 AC	230 AC
Motor power supply (V - 50/60 Hz)	230 AC	230 AC
Current draw (A)	5.1	2.6
Power (W)	1,200	600
90° manoeuvre time (s)	30	45
Duty cycle (%)	50	50
Torque (Nm)	800	800
Operating temperature (°C)	-20 ÷ +55	-20 ÷ +55
Motor thermo-protection (°C)	150	150

● 230 V AC

