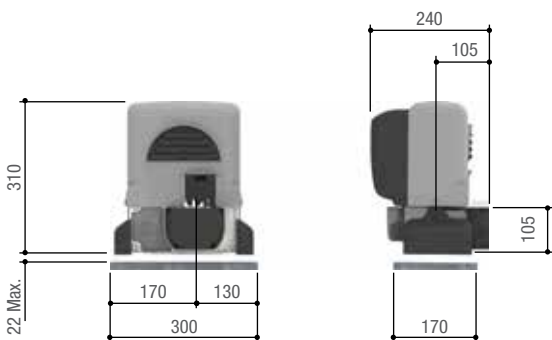




Ideal solution for sliding gates

- Models BX-74 and BX-246 are tested according to the parameters established by the current standards.
- The Bx range is composed of several operators to meet all of the customers' needs.
- Self-diagnosis of safety devices.
- 001BX-10: evolved electronics with programming display, encoder for managing slow-downs, plus obstacle detections, memorising up to 250 users.
- PRATICO SYSTEM: for activating the radio release patented by CAME, you need to add a plug-in radio-frequency card.
- BX-246: it works in emergency mode during blackouts.

Dimensions (mm)



Limits to use

MODELS	BX-74	BX-P	BX-246	BX-10	BX-78
Max leaf weight (kg)	400	600	600	800	800
Max leaf length (m)	14	14	18	20	14
Pinion module (m)	4	4	4	4	4

NOTES: To activate the release device for 001BX-P, you need a plug-in radio frequency card of the same series used for the operator's radio command.

Technical features

MODELS	BX-74	BX-P	BX-246	BX-10	BX-78
Protection rating (IP)	54	54	54	54	54
Power supply (V - 50/60 Hz)	230 AC	230 AC	230 AC	230 AC	230 AC
Motor power supply (V)	230 AC 50/60 Hz	230 AC 50/60 Hz	24 DC	230 AC 50/60 Hz	230 AC 50/60 Hz
Current draw (A)	2.6	2	10 Max.	2.4	2.4
Power (W)	200	230	400	300	300
Manoeuvre speed (m/min)	10.5	17	6 ÷ 12	10.5	10.5
Duty cycle (%)	30	30	INTENSIVE SERVICE	30	30
Thrust (N)	300	600	700	800	800
Operating temperature (°C)	-20 ÷ +55	-20 ÷ +55	-20 ÷ +55	-20 ÷ +55	-20 ÷ +55
Motor thermo-protection (°C)	150	150	-	150	150

● 230 V AC ● 24 V DC

Code	Description	Price £ (Excl. VAT)
Automation with 230 V AC gearmotor tested in compliance with EN 12453 - EN 12445 norms		
001 BX-74 	Operator featuring control board, with movement control and obstacle detection device and mechanical endstops, for sliding gates up to 400 kg and 14 m in length.	£464.00
Operators with 230 V AC gearmotor		
001 BX-P 	Operator featuring control board, PRATICO SYSTEM radio release system, with on-board 12 V - 1.2 Ah battery, for sliding gates up to 600 kg and 12 m in length. (requires additional frequency card)	£643.00
001 BX-78	Operator featuring control board, with movement control and obstacle detection device and mechanical endstops, for sliding gates up to 800 kg and 14 m in length.	£496.00
001 BX-10 	Operator featuring control board with graphic display for function programming and movement control and obstacle detection device, for sliding gates up to 800 kg and 20 m in length.	£588.00
Automation with 24 V DC gearmotor tested in compliance with EN 12453 - EN 12445 norms		
001 BX-246  	Operator featuring control board, with movement control and obstacle detection device and mechanical endstops, for sliding gates up to 600 kg and 18 m in length. Fitted for two 12 V - 1.2 Ah batteries (not included).	£590.00
Accessories for: 001 BX-10		
002 RSE	Card for management of coupled opening.	£24.00
Accessories for: 001 BX-246		
002 LBD2 	Card for connecting two 12 V - 1.2 Ah emergency batteries.	£39.00
Accessories		
001 R001	Cylinder lock with DIN key.	£20.00
001 B4337	Device for chain transmission.	£213.00
009 CCT	1/2" simple chain.	per m £14.00
009 CGIU	Joint for 1/2" chain.	£3.00
BAT2PK	Set of two 12V - 1.2 AH batteries.	£52.00
Racks		
009 CGZ	Module 4 rack in galvanised steel (22 x 22 mm).	per m £20.00
009 CGZP	Module 4 rack in PA6 nylon and fiberglass with steel core (10 x 10 mm), complete with fixing support.	per m £19.00
009 CGZS	Module 4 rack in galvanised steel with holes and spacers for fixing (30 x 8 mm).	per m £22.00

NOTES
009CGZP For gates up to 600 kg.

Price for complete Bx Kits (with control panels, activation and safety accessories included) can be found on page 66.

