

Twister

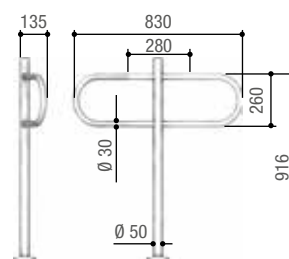
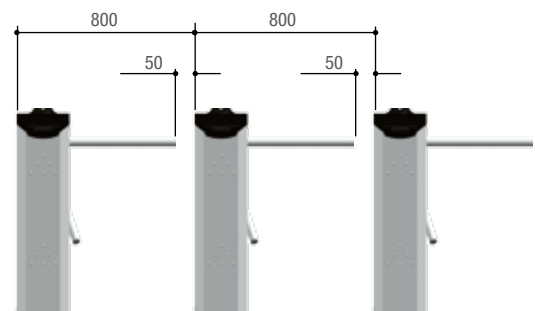
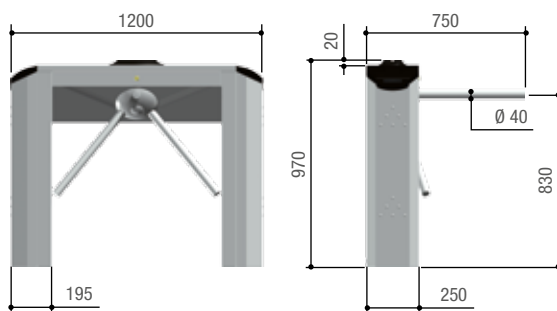
Electromechanical tripod turnstiles



The ideal solution for selecting pedestrian access in high flow areas, also with transponder card control

- Twister is the innovative turnstile for selecting transit in high flow areas.
- Made from stainless steel, it is ideal for railways stations and ports, underground stations, sporting facilities and anywhere where it is essential to control pedestrian flows, optimising entry and exit operations.
- Twister is the resistant and functional solution, suitable for all transit control and selection requirements.
- It can be installed anywhere, even where there are extremely high flows such as in stadiums, stations, underground stations, public offices and sports centres.
- Controlled by a built-in control panel, Twister is perfectly compatible with all the latest access control systems.

Dimensions (mm)



PSOPG01 - PSOPG01X

Technical features

MODELS	PST01 • PST02 • PST03 • PST04
Protection rating (IP)	44
Power supply (V - 50/60 Hz)	120 - 230 AC
Operating power supply (V)	24 DC
Current draw (mA)	260
Weight (kg)	60
Operating temperature (°C)	-20 ÷ +55

● 230 V AC

THE COMPLETE RANGE



Code	Description	Price £ (Excl. VAT)
-------------	--------------------	--------------------------------

Electromechanical tripod turnstiles		
001PST001	Electromechanical bidirectional turnstile in AISI 304 steel with Scotch-brite finish, featuring control board, hydraulic damper, LED traffic light with signalling display and on-board transponder sensor. Automatic tripod release in case of blackouts.	£2,283.00
001PST002	Electromechanical bidirectional turnstile in AISI 304 steel with Scotch-brite finish, featuring control board, hydraulic damper and LED traffic light with signalling display. Automatic tripod release in case of blackouts.	£2,179.00
001PST003	Electromechanical bidirectional turnstile in AISI 304 steel with Scotch-brite finishing, featuring control board, hydraulic damper, high-luminosity LED bidirectional signalling traffic light and system to prevent climbing over. Automatic tripod release in case of blackouts.	£2,860.00
001PST004	Electromechanical bidirectional turnstile in AISI 304 steel with Scotch-brite finish, featuring control board, hydraulic damper, LED traffic light with signalling display and arm fall system. Automatic tripod release in case of blackouts.	£3,276.00



Accessories for electromechanical tripod turnstiles		
001PSOPSC01	Anti-panic arms with pressure joint.	£432.00
001PSOPG01	AISI 304 steel channeller with post and arc, galvanised steel fixing flange and chrome-plated plastic flange cover. H = 1,000 mm.	£219.00
001PSOPG01X	AISI 304 steel channeller with post and arc, fixing flange and flange cover. H = 1,000 mm.	£245.00

