

Twister Light

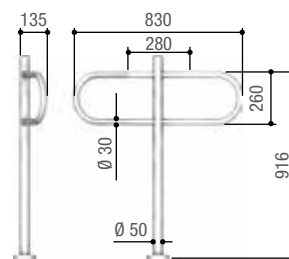
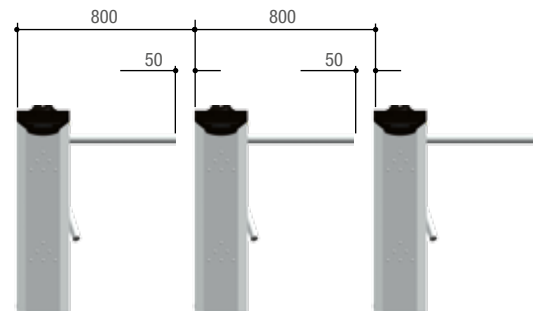
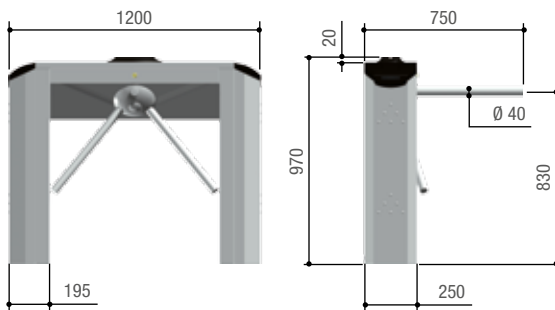
Electromechanical tripod turnstiles



The ideal solution for selecting pedestrian access in high flow areas, also with transponder card control

- Twister Light is the innovative turnstile for selecting transit in high flow areas.
- Made from stainless steel, it is ideal for railways stations and ports, underground stations, sporting facilities and anywhere where it is essential to control pedestrian flows, optimising entry and exit operations.
- Twister Light is the resistant and functional solution, suitable for all transit control and selection requirements.
- It can be installed anywhere, even where there are extremely high flows such as in stadiums, stations, underground stations, public offices and sports centres.
- Controlled by a built-in control panel, Twister light is perfectly compatible with all the latest access control systems.

Dimensions (mm)



PSOPG01 - PSOPG01X

Technical features

MODELS	PSBPS07N • PSBPS08 • PSBPS09 • PSBPS10
Protection rating (IP)	44
Power supply (V - 50/60 Hz)	120 - 230 AC
Operating power supply (V)	24 DC
Current draw (mA)	260
Weight (kg)	60
Operating temperature (°C)	-20 ÷ +55

● 230 V AC

THE COMPLETE RANGE



Code **Description** **Price £**
(Excl. VAT)

Electromechanical tripod turnstiles

001 PSBPS07N	AISI 304 steel electromechanical bidirectional turnstile with Scotch-brite finishing, featuring control board and hydraulic damper. Automatic tripod release in case of blackouts.	£1,683.00
001 PSBPS08	Electromechanical bidirectional turnstile in AISI 304 steel with Scotch-brite finishing, featuring control board, hydraulic damper, high-luminosity LED bidirectional traffic light. Automatic tripod release in case of blackouts.	£1,725.00
001 PSBPS09	Electromechanical bidirectional turnstile in AISI 304 steel with Scotch-brite finishing, featuring control board, hydraulic damper, high-luminosity LED bidirectional traffic light and system to prevent climbing over. Automatic tripod release in case of blackouts.	£2,297.00
001 PSBPS10	AISI 304 steel electromechanical bidirectional turnstile with Scotch-brite finishing, featuring control board, hydraulic damper, bidirectional LED traffic light, arm fall system and automatic release of the tripod in case of blackouts.	£2,623.00



Accessories for electromechanical tripod turnstiles

001 PSOPSC01	Anti-panic arms with pressure joint.	£432.00
001 PSOPG01	AISI 304 steel channeller with post and arc, fixing flange and chrome-plated plastic flange cover. H = 1,000 mm.	£219.00
001 PSOPG01X	AISI 304 steel channeller with post and arc, fixing flange and flange cover. H = 1,000 mm.	£245.00
001 PSOPCN03	Electronic counter.	£162.00
001 PSOPSF03	LED traffic light with signalling display.	£104.00

