

S40

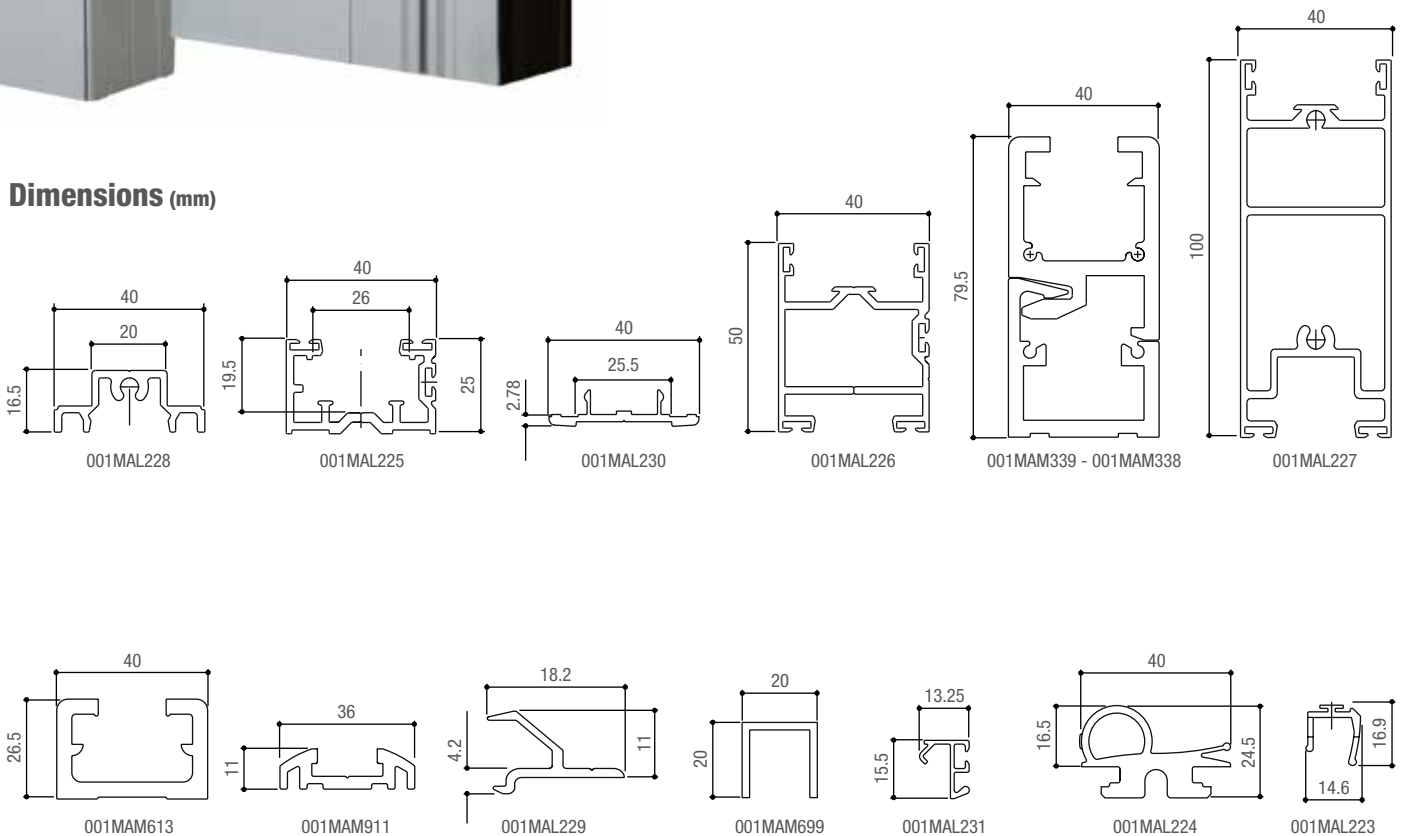
Profiles for framed leaves



Aluminium profiles for door construction

- A line of profiles for framed doors with exceptional solidity standards.
- A wide range of accessories are available for assembling.
- Engineered for door that see intensive duty, like in shopping centres, public offices and hospitals.
- Can be coupled with complete Mi series anti-panic systems.

Dimensions (mm)



Profile material and weight

MODELS	WEIGHT (g/m)	MATERIAL
001MAL225 - 001MAL225G	0.686	6060 ALUMINIUM ALLOY
001MAL226 - 001MAL226G	1.030	6060 ALUMINIUM ALLOY
001MAL227 - 001MAL227G	1.841	6060 ALUMINIUM ALLOY
001MAL228 - 001MAL228G	0.472	6060 ALUMINIUM ALLOY
001MAL229 - 001MAL229G	0.138	6060 ALUMINIUM ALLOY
001MAL230 - 001MAL230G	0.242	6060 ALUMINIUM ALLOY
001MAL231 - 001MAL231G	0.121	6060 ALUMINIUM ALLOY
001MAL223	0.104	BLACK PVC SH 62
001MAL224	0.468	BLACK PVC SH 62
009P3	0.028	BLACK PVC SH 62
009P4	0.05	BLACK PVC SH 62
009P5	0.068	BLACK PVC SH 62
009P6	0.078	BLACK PVC SH 62

