

Bridge

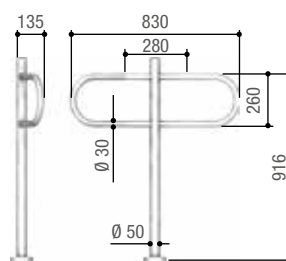
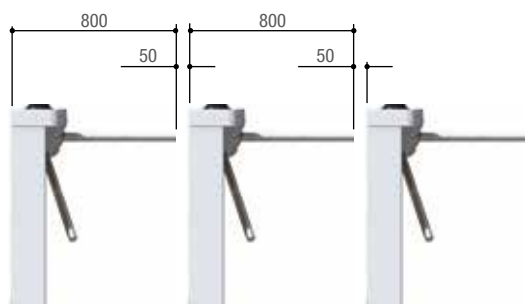
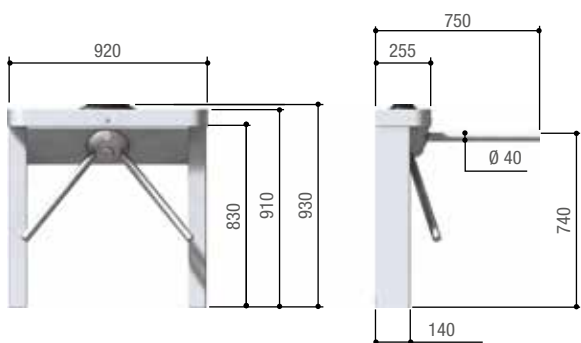
Mechanical and electromechanical tripod turnstiles



The ideal solution for selecting pedestrian access in high flow areas

- Bridge is the silent, precise turnstile, ideal for entry and exit control in small and medium-sized sports centres, supermarkets and companies.
- Its small width ensures efficient flow control, even in limited space, making it possible to create multiple controlled openings.
- Available in three different models, all equipped with hydraulic damper, Bridge is easy to integrate into any type of environment.
- The care taken over aesthetic details, the shape, and the rounded corners are distinctive features of a product with a sought-after design.
- The galvanised metal body makes Bridge a product that is particularly resistant to vandalism and tampering. The special epoxy powder paint also makes it weather resistant.

Dimensions (mm)



PSOPG01 - PSOPG01X

Technical features

MODELS	PSAP01	PSAP07N • PSAP08
Protection rating (IP)	44	44
Power supply (V - 50/60 Hz)	-	120 - 230 AC
Operating power supply (V)	-	24 DC
Current draw (mA)	-	223
Weight (kg)	40	50
Operating temperature (°C)	-	-20 ÷ +55

● 230 V AC

THE COMPLETE RANGE



CAME

Code	Description	Price £ (Excl. VAT)
Mechanical tripod turnstile		
001 PSAP01	Mechanical monodirectional turnstile (clockwise/counterclockwise) in galvanised and RAL 7035	£1,560.00
Electromechanical tripod turnstiles		
001 PSAP07N	Electromechanical bidirectional turnstile in galvanised and RAL 7035 painted steel, featuring control board and hydraulic damper. Automatic tripod release in case of blackouts.	£1,763.00
001 PSAP08	Electromechanical bidirectional turnstile in galvanised and RAL 7035 steel, featuring control board, hydraulic damper, high-luminosity LED bidirectional traffic light. Automatic tripod release in case of blackouts.	£1,924.00
Accessories for mechanical and electromechanical tripod turnstiles		
001 PSOPSC01	Anti-panic arms with pressure joint.	£432.00
001 PSOPG01	AISI 304 steel channeller with post and arc, galvanised steel fixing flange and chrome-plated plastic flange cover. H = 1,000 mm.	£219.00
001 PSOPG01X	AISI 304 steel channeller with post and arc, fixing flange and flange cover. H = 1,000 mm.	£245.00
Accessories for: 001PSAP07N		
001 PSOPCN03	Electronic counter.	£162.00
001 PSOPSF03	LED traffic light with signalling display.	£104.00

