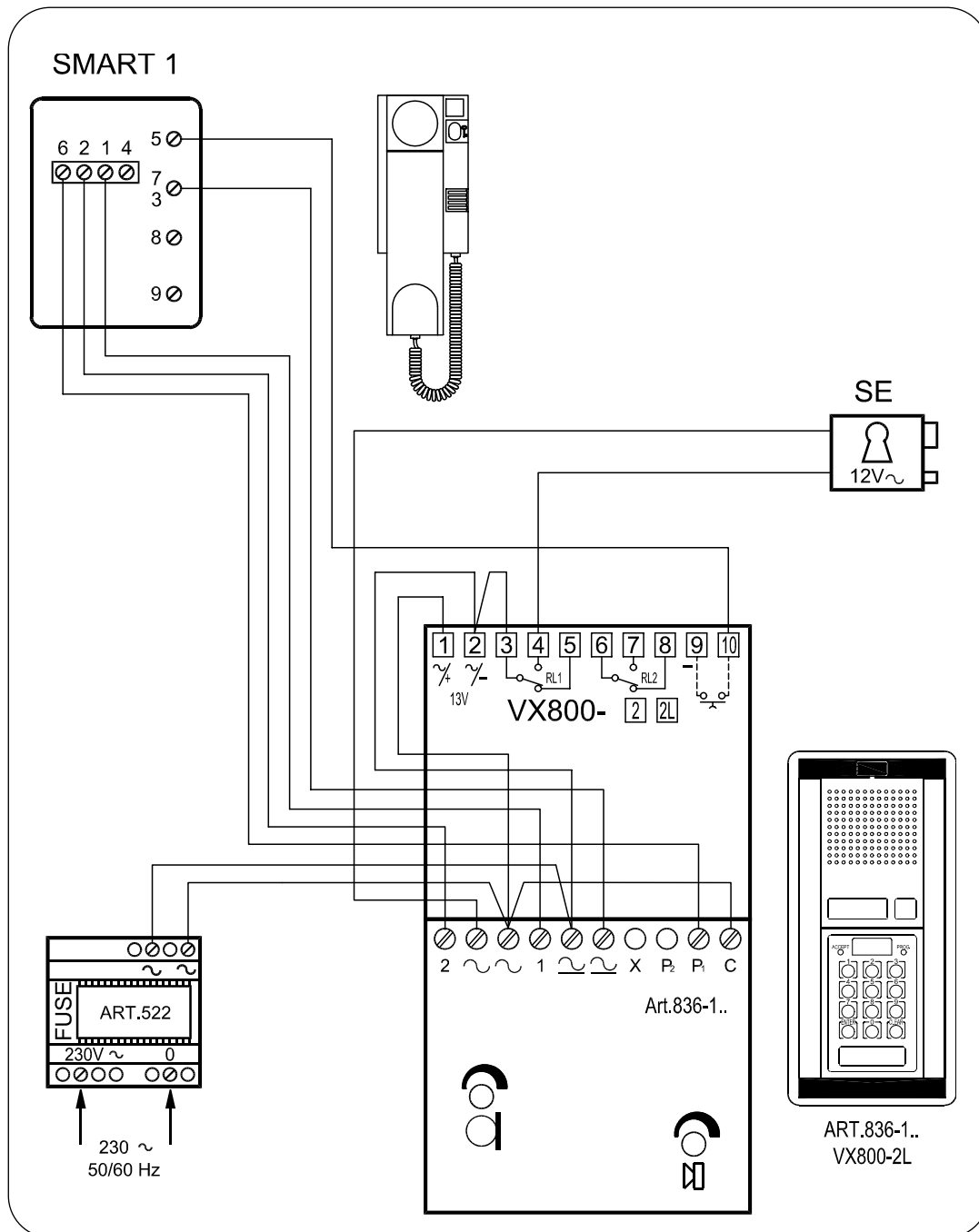


DIGIPHONEKITDK918 1

DK918 1S



SMART 1

- Citofono
- Intercom
- innenstelle
- Poste d'appartement
- Téléphone

Art. 522

- Alimentatore
- Power supply
- Netzeil
- Alimentation
- Alimentador

Art. 836-1

- Modulo portiere elettrico
- Speaker unit module
- Aussenstelle mit Sprechereinheit
- Groupe phonie
- Unidad de habla/Botonera con parlante

Art. VX800-2L

- Tastiera digitale aprior-ta
- Code lock
- Codeschloß Modul
- Clavier de codage
- Modulo botonera digitale abrepuerta

IMPORTANT!

ESEGUIRE I COLLEGAMENTI COME DA SCHEMA.

IMPORTANT!

SYSTEM MUST BE WIRED AS PER INSTRUCTION.

IMPORTANT!

REALISER LES CABLAGES COMME INDIQUÉ SUR LE SCHEMA.

WICHTIG!

VERKABELUNG GEMMASS DES SCHEMAS DURCHFÜHREN.

IMPORTANT!

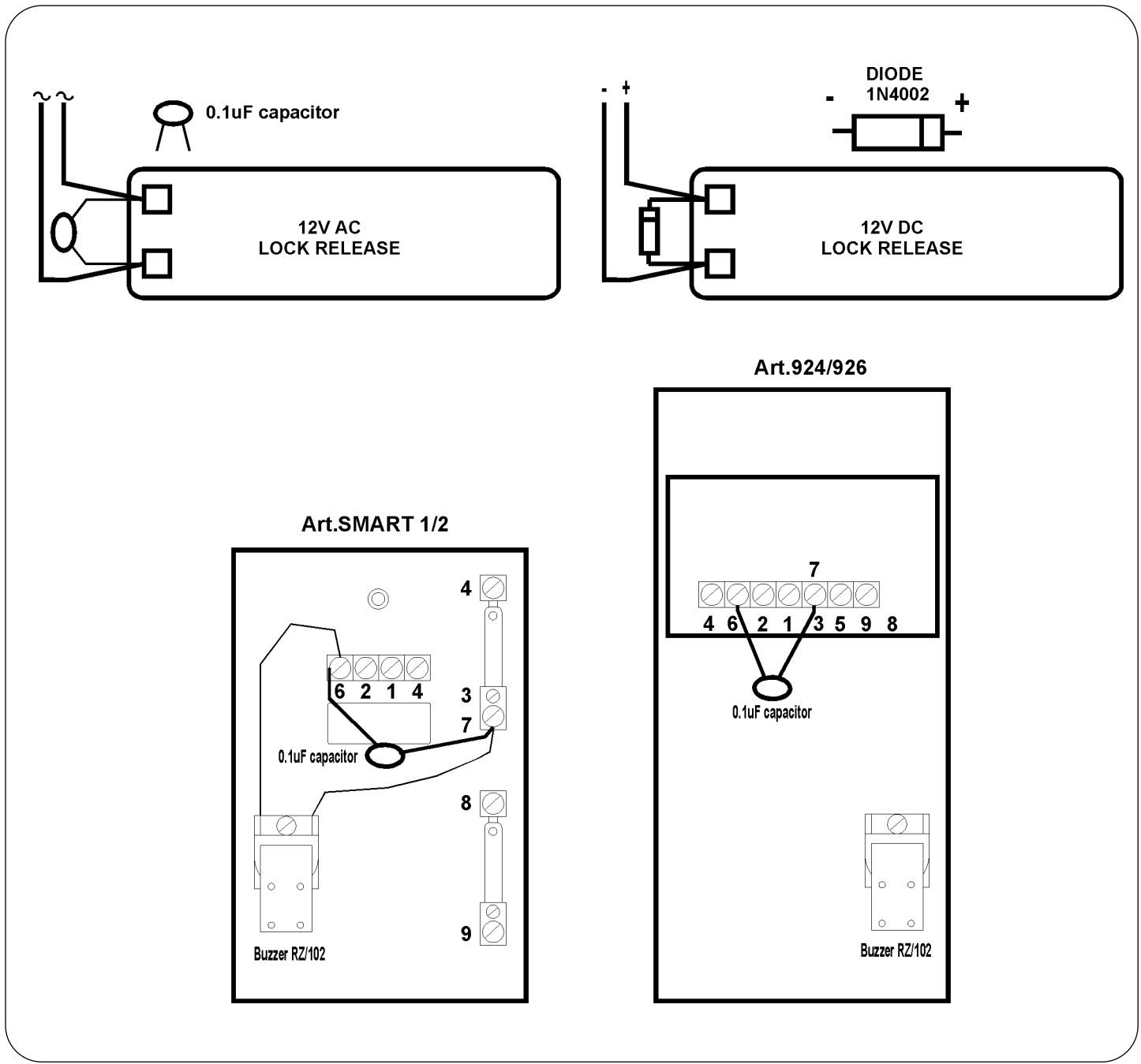
EFFECTUAR LAS CONEXIONES SEGUN EL ESQUEMA.

SE

- Serratura elettrica (non inclusa)
- Electric lock (not included)
- Elektrisches Türschloß (nicht imbegriffen)
- Serrure électrique (non includ)
- Cerradura eléctrica (no incluida)

Lock release back EMF protection:

A capacitor must be fitted across the terminals on an AC lock release and diode must be fitted across the terminals on a DC lock release to suppress back EMF voltages. The diagrams below show how to connect these components to the lock releases.



Buzzer back EMF protection:

On each telephone add one 0,1 uF capacitor between terminals 6 - 7 (3).

Cable size and type:

When running cables for any intercom system, these cables must be installed separately. from the mains cables. All multipair cables should be to CW1308 specification. (0.5mm twisted pair telephone cable).

Max resistance = 10 Ohm.

Lock release wires should be doubled up. Maw resistance = 3 Ohm.

The cables sizes above can be used for distances up to 50m. On distances above 50m the cable sizes should be increased to keep the overall resistance of the cable below the RESISTANCES indicated above.

VX 800 INSTRUCTION

MODELS:

| | |
|-----------------|--|
| VX800-2 | Module 2 Relay |
| VX800-2L | Module 2 Relay plus panel illumination |
| VX800/F | Stand alone unit 2 Relay. Flush mounting |
| VX800/S | Stand alone unit 2 relay. Surface mounting |
| VX800-3 | 3 Relay |
| VX800-3L | 3 Relay plus panel illumination |

INSTALLATION -2 RELAY SYSTEM-

- 1 - Power up 12 Volts Ac or Dc.
- 2 - Tap in pre-factory code 6x1 (111111) and press ENTER.
PROG. led will illuminate.
- 3 - Tap in 3 to 6 digit master code and press ENTER.
- 4 - Tap in 3 to 6 digit 1st relay code and press ENTER.
- 5 - Tap in 2 digit relay operation time (1 to 99 sec) and press ENTER.
I.E: 01=1sec ... 99=99 sec, 00=Remain open operation.
- 6 - Tap in 3 to 6 digit 2nd relay code and press ENTER.
- 7 - Tap in 2 digit relay operation time (as instruction 5).
- 8 - Press ENTER twice. PROG. led will go out.

System is now ready to use.

If an entry or exit button is required (on 2 relay model only) connect button terminals 9-10. When push button is pressed relay No.1 will operate for its programmed time. If this function is only required at certain times connect a time clock in series with one leg of push button.

NOTES:

- If only one relay is required press ENTER twice after instruction number 5.
- For 3 RELAY SYSTEM repeat 6 and 7.
- To cancel any code while operating tap in relevant code and press CLEAR button.
- To change codes enter master code and proceed from instruction number 3.
- All relays can have same code if required.
- Any number of relays can be operated at same time if required.
- If a wrong code is entered the system will lock out for 5 seconds which will increase each time a wrong code is entered.

The system will operate once the correct code is entered.

INSTRUCTION TO RETURN SYSTEM TO PRESET MASTER FACTORY CODE

- 1 - Turn off power to code lock.
- 2 - Keep ENTER button depressed on code lock.
- 3 - Turn back on power to code lock making sure ENTER button is depressed all the time.
- 4 - Release ENTER button.
- 5 - Code lock is now set at factory master code 6 X 1 (111111).
- 6 - Proceed with programming for a new system.

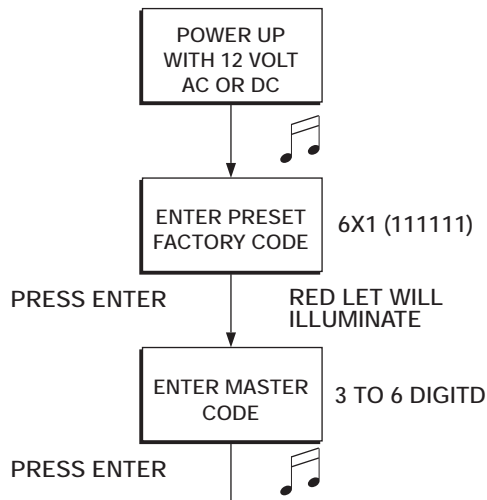
TECHNICAL INFORMATION

- Power requirements: 12-14 Vac or dc. Min 15 mA at 12 Vdc without lamp and relays in rest position.
Max 315 mA at 14 Vac with lamp illumination and 3 relays activated.
- 1st and 2nd relay have NO/NC contacts.
3rd relay NO contact only.
- Max of contacts 5A 24Vac or DC.

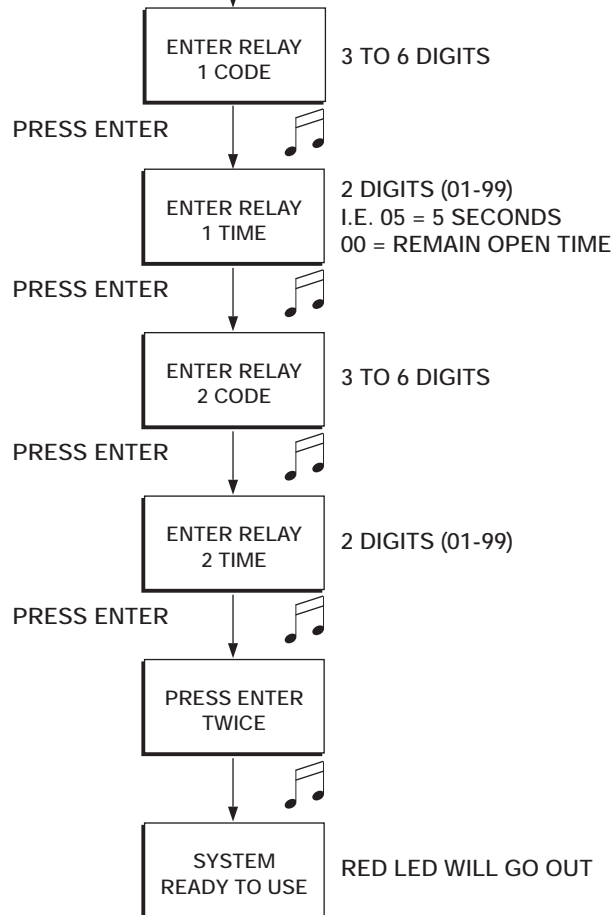
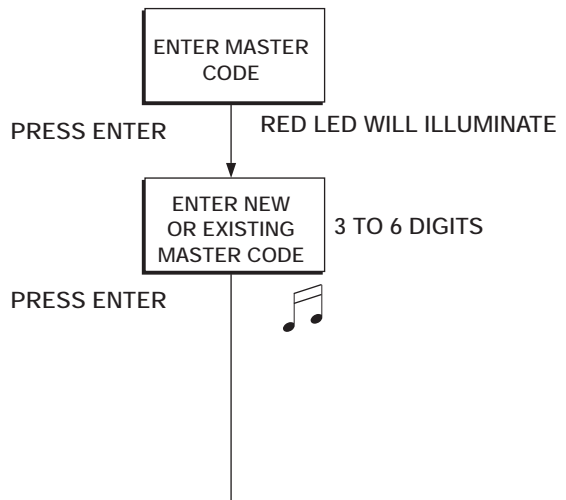
If help is required for installing or operating this unit please contact our technical department on +39 734 631669 (all countries) or 091 224 3174(UK).


VX 800 SERIES

TO SET UP SYSTEM



TO ENTER NEW RELAY CODE



 = MELODY

NOTE: TO EXIT BEFORE THE END FROM PROGRAM MODE, PRESS ENTER TWICE (RED LED WILL GO OUT).

TO USE SYSTEM, ENTER CODE AND PRESS "ENTER"; RELAY WILL OPERATE FOR PROGRAMMED TIME.

IF YOU WANT TO CANCEL, REMAIN OPEN TIME, ENTER CODE AND PRESS "CLEAR".

IF YOU WANT TO OPERATE RELAYS TOGETHER, YOU MUST PROGRAM SAME CODE FOR EVERY RELAY.