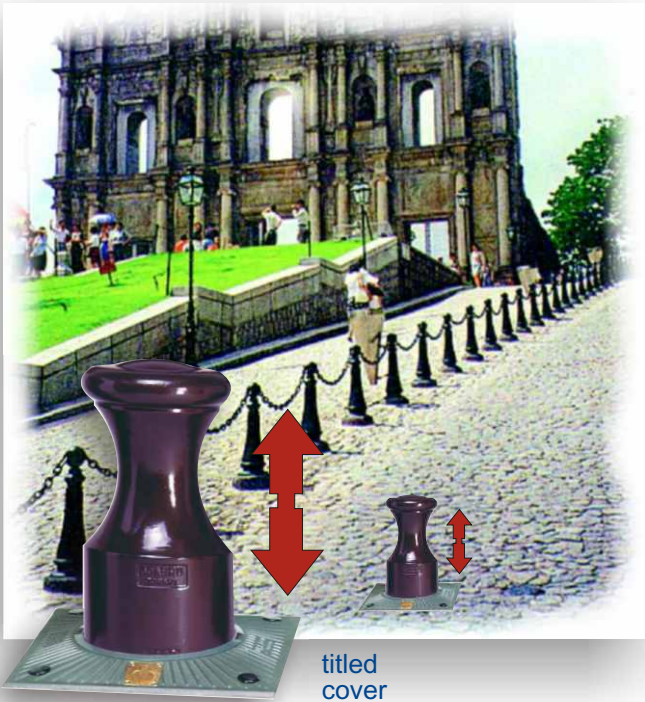


Technical sheet

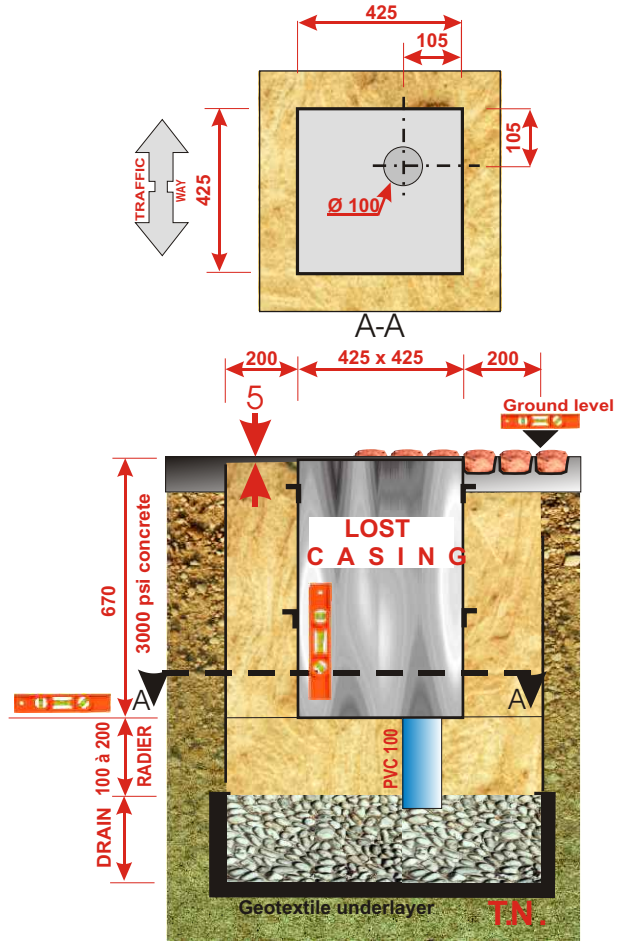
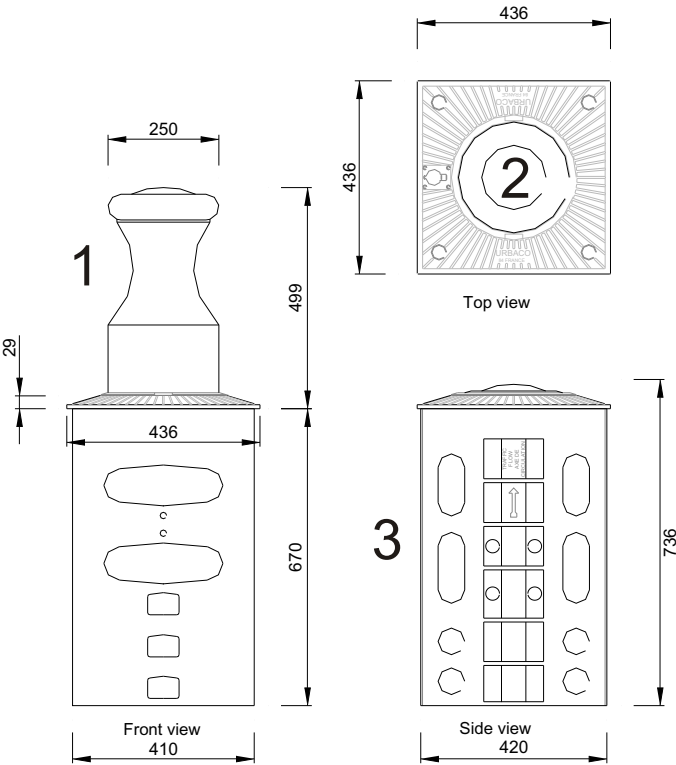
Mechanical retractable bollard

CABESTAN Model Ø 250/10", Height 520/21"

Ref. BMCBTF52



Impact resistance		Weight
9,000 joules		138 Kg/304.24 lb
Material	Thickness	Colors
Cast steel	11 mm/0.4"	Standard URBACO paint RAL colors (optional)
Opening of Access		Closing of Access
1- Unlock with the key 2- With the push of a foot the bollard retracts in the casing		1- Turn the key back The bollard raises and automatically locks in the up position



Z.A. Du Couquiou - 84320 ENTRAIGUES - FRANCE
 Tél. : (33) 04 90 48 08 08 - Fax : (33) 04 90 48 00 88
 e-mail : urbaco@urbaco.fr

NOTA : Natural permeable soil for drainage.
 (otherwise PVC tube should be connected to rainwater or sewage pipes)

INSTALLATION PLAN
 for lost casing ref. BOCOFF665