

# Technical sheet

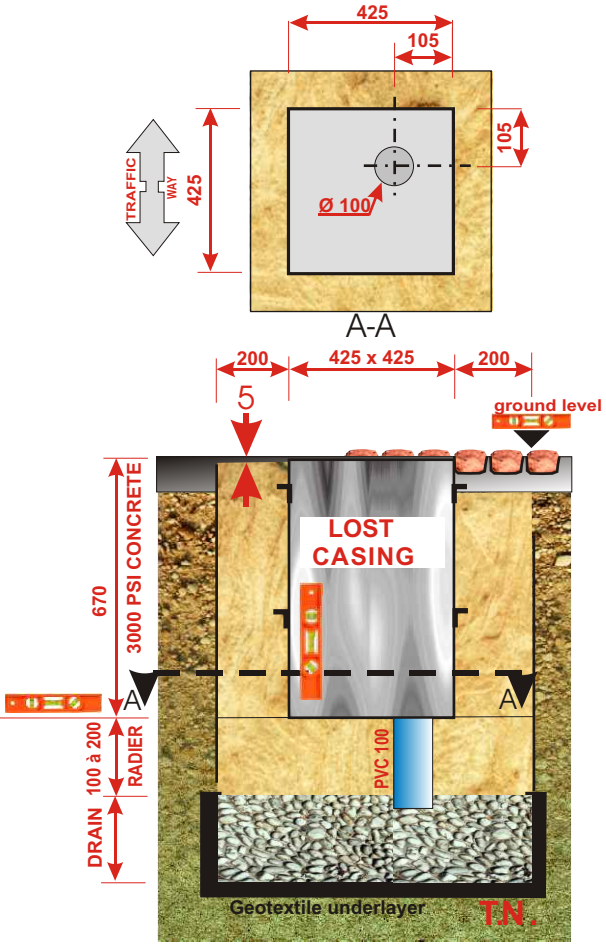
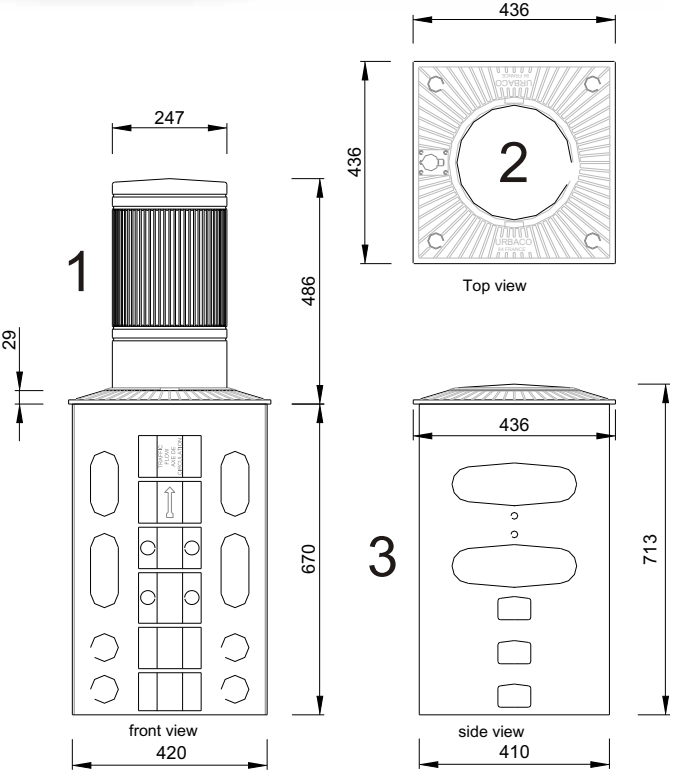
## Mechanical retractable bollard

### ACROPOLE Model Ø250/10", Height 500/20"

**Ref. BMACEF50T**



<b>Impact resistance</b>		<b>Weight</b>	
9,000 joules		146 Kg/220.46 lb	
<b>Material</b>	<b>Thickness</b>	<b>Colors</b>	
Cast steel	11 mm/0.4"	Standard URBACO paint RAL colors (optional)	
<b>Opening of Access</b>		<b>Closing of Access</b>	
1 - Unlock with the key 2-With the push of a foot the bollard retracts in the casing		1- Turn the key back The bollard raises and automatically locks in the up position	



Z.A. Du Couquiou - 84320 ENTRAIGUES - FRANCE  
 Tél. : (33) 04 90 48 08 08 - Fax : (33) 04 90 48 00 88  
 e-mail : urbaco@urbaco.fr

**NOTA : Natural permeable soil for drainage.**  
 (otherwise PVC tube should be connected to rainwater or sewage pipes)  
**INSTALLATION PLAN**  
 for lost casing ref. BCOFF665