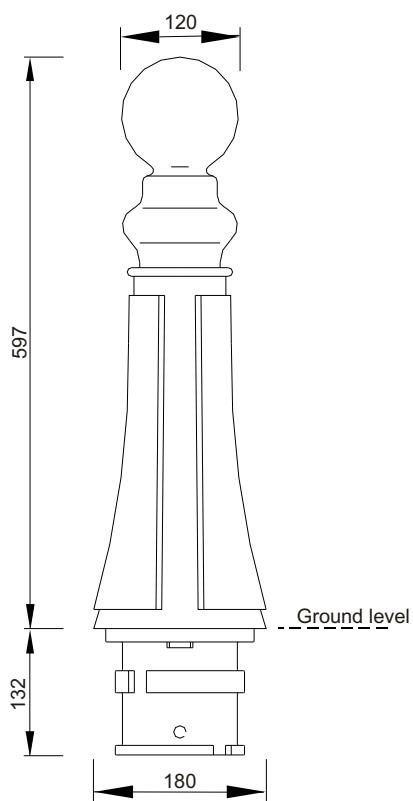


# Technical sheet

## REMOVABLE BOLLARD ARLESIENNE Model Height 600/24"



Height	Diameter	Weight
597 mm/23.50"	180 mm/7.09"	24 Kg/52.91 lb
Material	Thickness	Colors
Cast	11 mm/0.4"	Standard URBACO paint RAL Colors (optional)
Opening of Access	Options	
1 - According to the fixator model, (see over leaf), turn on or not the lock with the key. 2 - Turn on the bollard manually to unlock it then raise it.	- Coat of arms in reinforcing steel or riveted in bronze. - Lid which allows to fill up the case when the bollard is in the up position.	



Ref. BAALSE60F