

Technical sheet

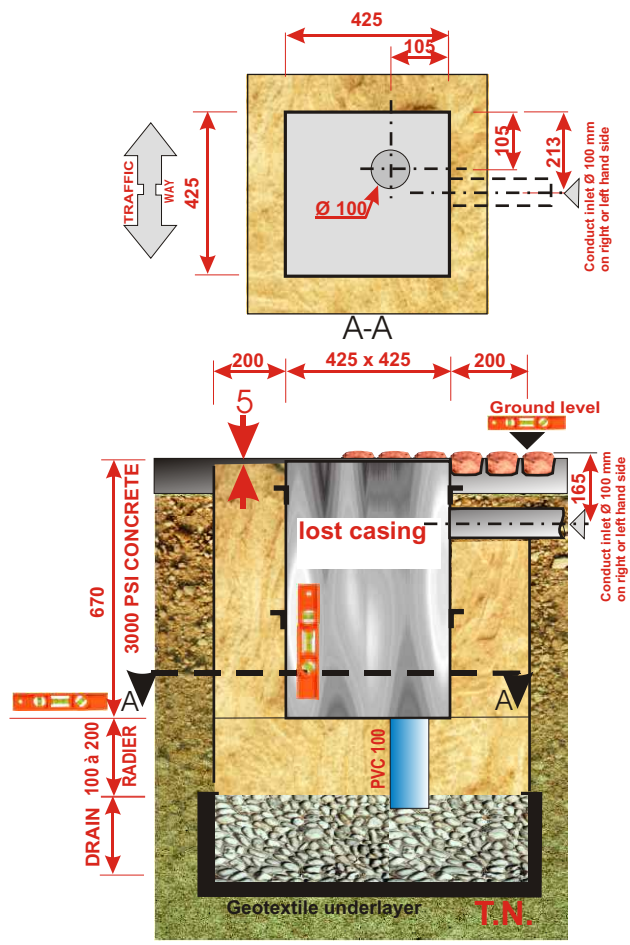
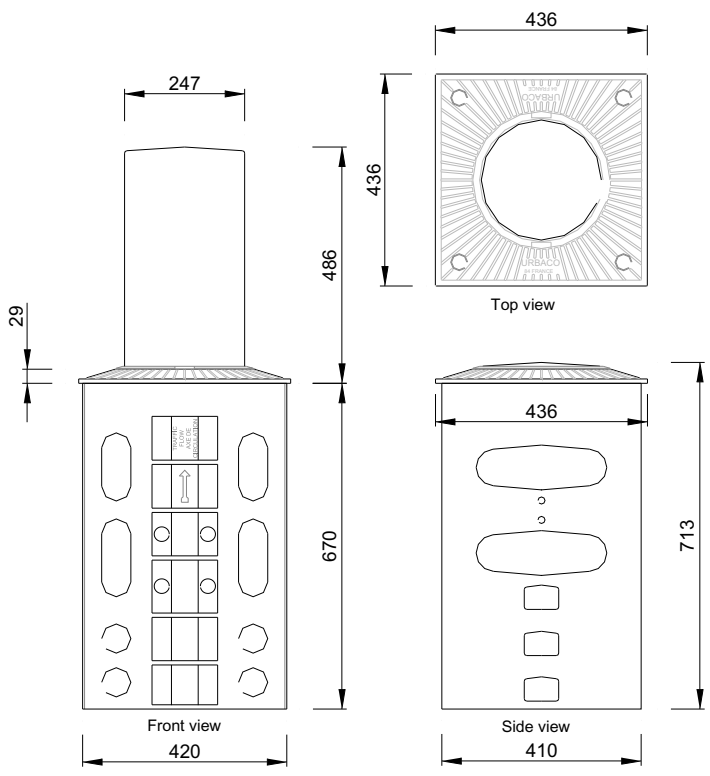
Pneumatic automatic retractable bollard
CYLINDER Model Ø250/10", Height 500/20"

Réf. BPCLPF50T



Tilted cover

Impact resistance	Tested durability	Weight
9,000 joules	4.5 Million operation cycles	142 Kg/313.06 lb
Material	Thickness	Colors
Cast steel	11 mm/0.4"	Standard URBACO paint RAL colors (optional)
Fittings	Functioning	
- Lower limit switch. - I.P.67 air distribution set (with valve 25m/27 years air tube and connections).	According to PLC program. The user will lower the bollard with a proximity card, remote control, digital keypad etc. The bollard will automatically or manually rise again.	



NOTA : Natural permeable soil for drainage.
 (otherwise PVC tube should be connected to rainwater or sewage pipes)

INSTALLATION PLAN
 for lost casing réf. BOCOFF700

Z.A. Du Couquiou - 84320 ENTRAIGUES - FRANCE
 Tél. : (33) 04 90 48 08 08 - Fax : (33) 04 90 48 00 88
 e-mail : urbaco@urbaco.fr

Propriété intellectuelle de URBACO - Ne peut être copié - Spécifications non contractuelles - Modifications possibles sans préavis