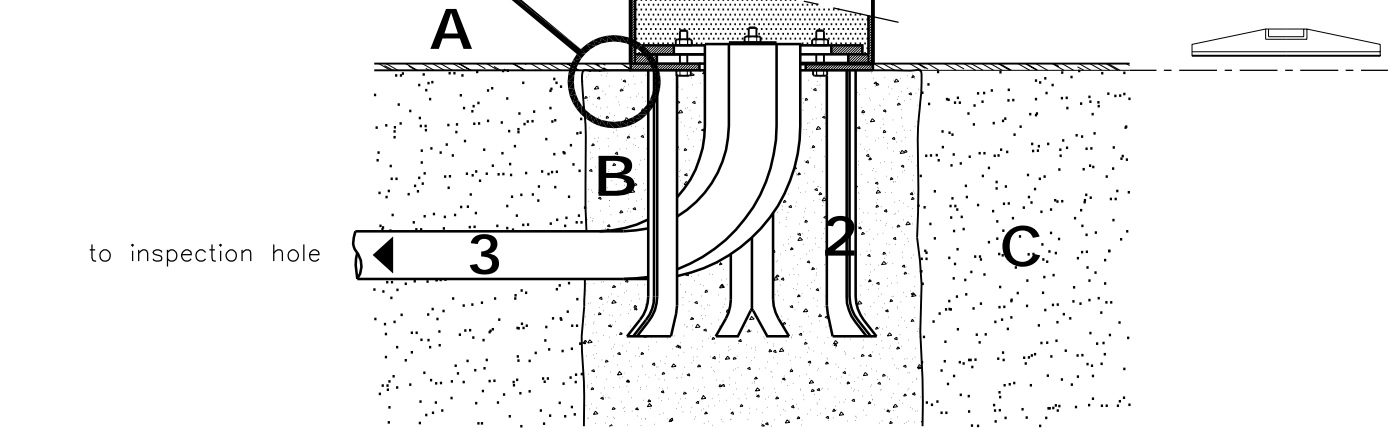
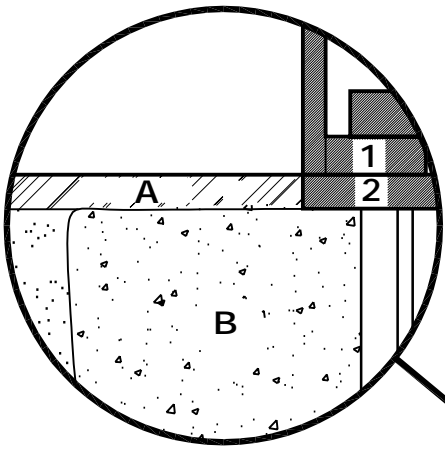
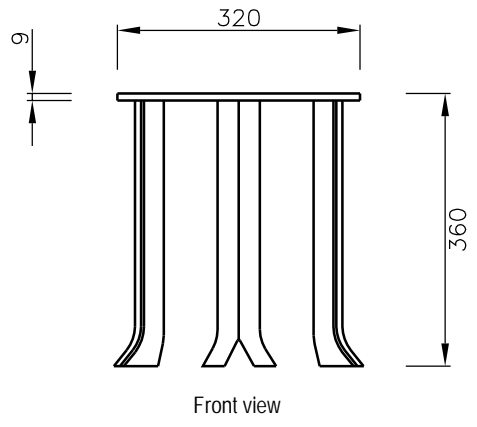
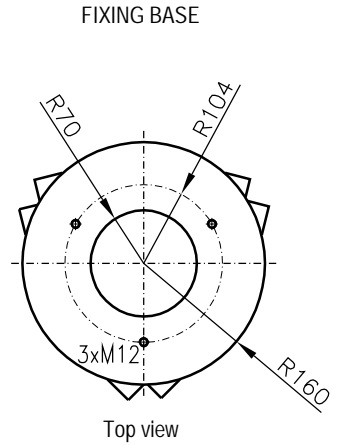
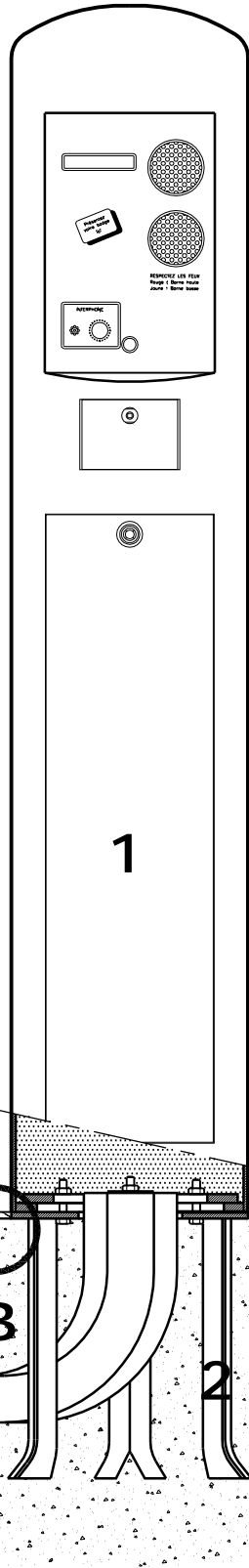


LEGENDE :

- 1 - City 1
- 2 - Fixing base
- 3 - Conduit inlet \varnothing 63 mm

- A - Asphalt surface
- B - 3000 PSI or 350 to 400 kg / m³ concrete.
- Minimum recommended height : 500 mm.
- C - Natural soil



to inspection hole

Copy or reproduction prohibited - Creation of URBACO

We reserve the right to change specifications at any time due to our commitment to innovation and safety

D	Product designation : CASING PLAN FOR CITY 3	Date : 21/11/02	Scale : 1/10	Standard note : Any modification made to this (these) drawing(s) should IMPERATIVELY be VALIDATED by RESEARCH DEPARTEMENT. Do not measure unmarked dimensions from the plan.
C	Product reference :	Material : 1/1		
B	Item reference : OBEPES-R CITY3 N	Weight :	Document reference : OBEPES-RCITY3N	
A	File reference : OBEPES-RCITY3N	Quantity :	Drawn by : A. MARCOS	Approved by : B. MOLAMA
				Unit : mm Tolerance : ISO 2768 mK